

# Product Reference Guide

## Plastic

### ChangeRx Semi-Finished Single Vision

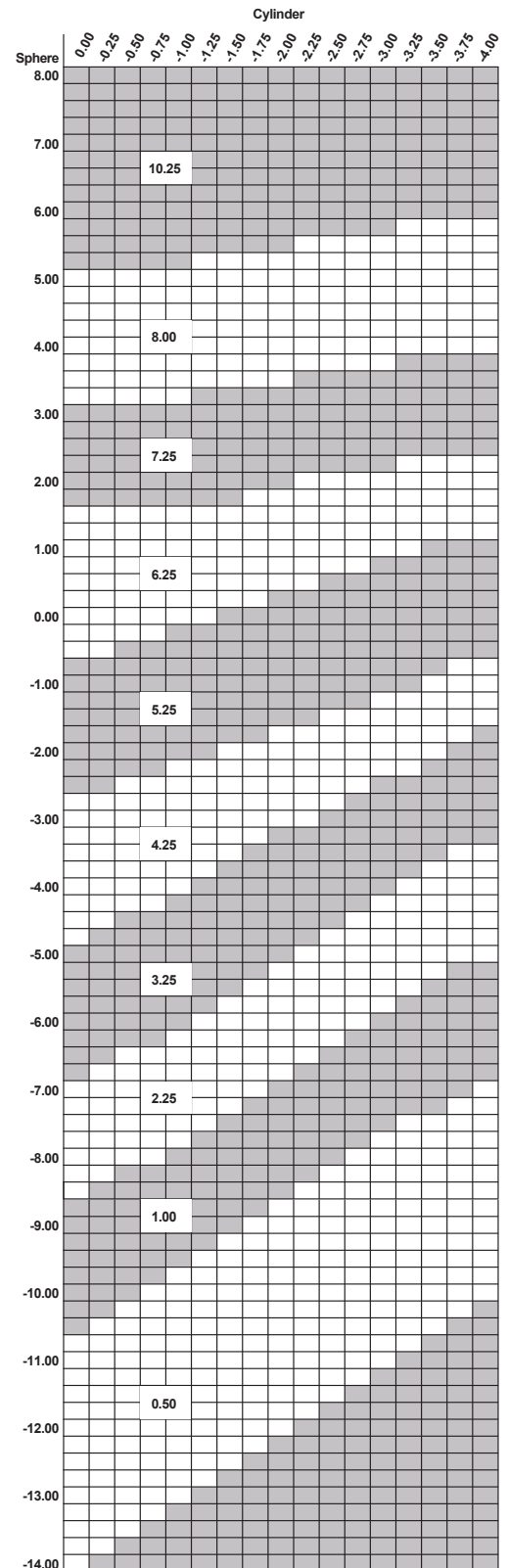
75mm Semi-Finished (Gray, Brown)  
Coated/Uncoated

Base Curve	True Curve (1.530)	Front Radius	50mm SAG*	Back Curve	CT (mm) Nominal	ET (mm) Nominal
0.50	0.40	1325.00	0.24	6.00	6.50	16.20
1.00	1.01	524.75	0.60	6.00	6.10	13.20
2.25	2.32	228.45	1.37	6.00	6.40	11.80
3.25	3.22	164.60	1.91	6.00	6.40	10.60
4.25	4.14	128.02	2.46	6.00	7.80	10.60
5.25	5.27	100.57	3.16	6.00	7.60	9.50
6.25	6.35	83.46	3.83	6.00	7.80	8.50
7.25	7.28	72.80	4.43	6.00	10.00	8.00
8.00	7.97	66.50	4.88	6.00	11.20	8.00
10.25**	10.05	52.74	6.30	6.00	11.60	7.00

\*Utilized for power calculation only, not for thickness calculation.

\*\*70mm SFSV

### Base Curve Selection



# Product Reference Guide

## Base Curve Selection

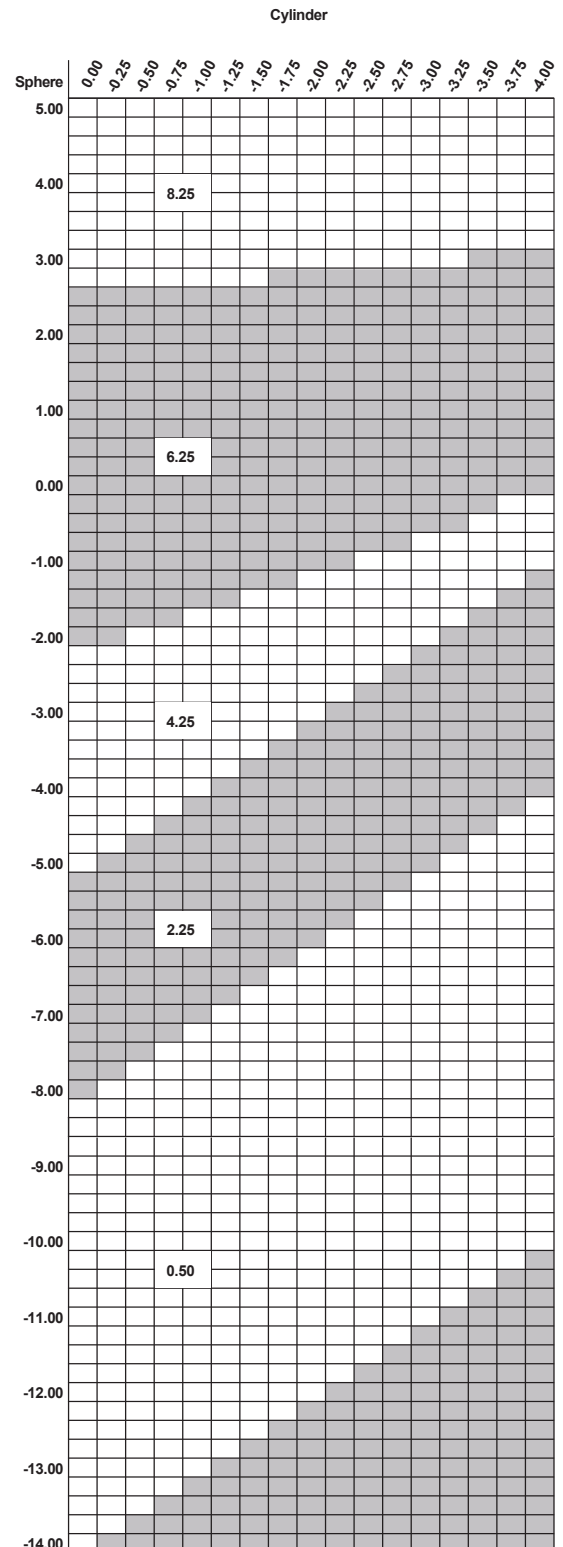
### Plastic

#### ChangeRx Semi-Finished Single Vision

70mm Semi-Finished (Gray, Brown)  
Coated

Base Curve	True Curve (1.530)	Front Radius	50mm SAG*	Back Curve	CT (mm) Nominal	ET (mm) Nominal
0.50	0.25	2120.00	0.15	-7.25	6.0	15.1
2.25	2.32	228.45	1.37	-7.25	5.9	12.6
4.25	4.14	128.02	2.47	-5.75	7.3	9.6
6.25	6.35	83.46	3.83	-7.00	7.3	9.0
8.25	8.67	61.13	5.35	-4.75	10.7	5.7

\*Utilized for power calculation only, not for thickness calculation.



# Product Reference Guide

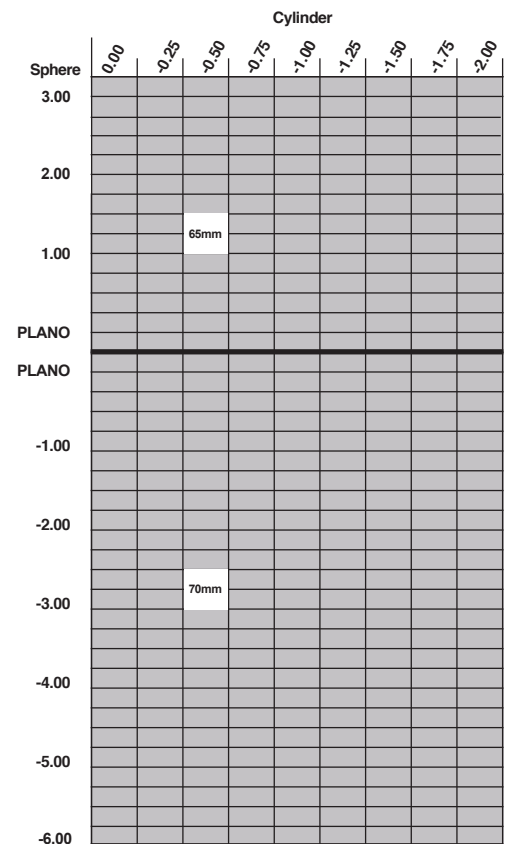
## Plastic

### ChangeRx and ChangeRx AR

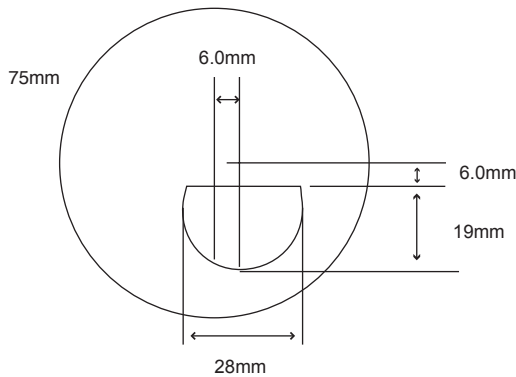
65/70mm Finished Single Vision (Gray, Brown)  
Coated

Sphere Power Up to -2.00 cyl	Base Curve	Curve Radius	Center Thickness
+3.00	6.17	85.900	5.2
+2.75	6.17	85.900	5.0
+2.50	6.17	85.900	4.7
+2.25	6.17	85.900	4.4
+2.00	5.17	102.515	4.1
+1.75	5.17	102.515	3.9
+1.50	5.17	102.515	3.6
+1.25	5.17	102.515	3.3
+1.00	5.17	102.515	3.1
+0.75	5.17	102.515	2.8
+0.50	5.17	102.515	2.5
+0.25	5.17	102.515	2.2
Plano	5.17	102.515	2.2
Plano	5.17	102.515	2.0
-0.25	4.13	128.329	2.0
-0.50	4.13	128.329	2.0
-0.75	4.13	128.329	2.0
-1.00	4.13	128.329	2.0
-1.25	4.13	128.329	2.0
-1.50	4.13	128.329	2.0
-1.75	4.13	128.329	2.0
-2.00	4.13	128.329	2.0
-2.25	3.08	172.078	2.0
-2.50	3.08	172.078	2.0
-2.75	3.08	172.078	2.0
-3.00	3.08	172.078	2.0
-3.25	3.08	172.078	2.0
-3.50	3.08	172.078	2.0
-3.75	3.08	172.078	2.0
-4.00	3.08	172.078	2.0
-4.25	2.30	230.435	2.0
-4.50	2.30	230.435	2.0
-4.75	2.30	230.435	2.0
-5.00	2.30	230.435	2.0
-5.25	0.99	535.354	2.0
-5.50	0.99	535.354	2.0
-5.75	0.99	535.354	2.0
-6.00	0.99	535.354	2.0

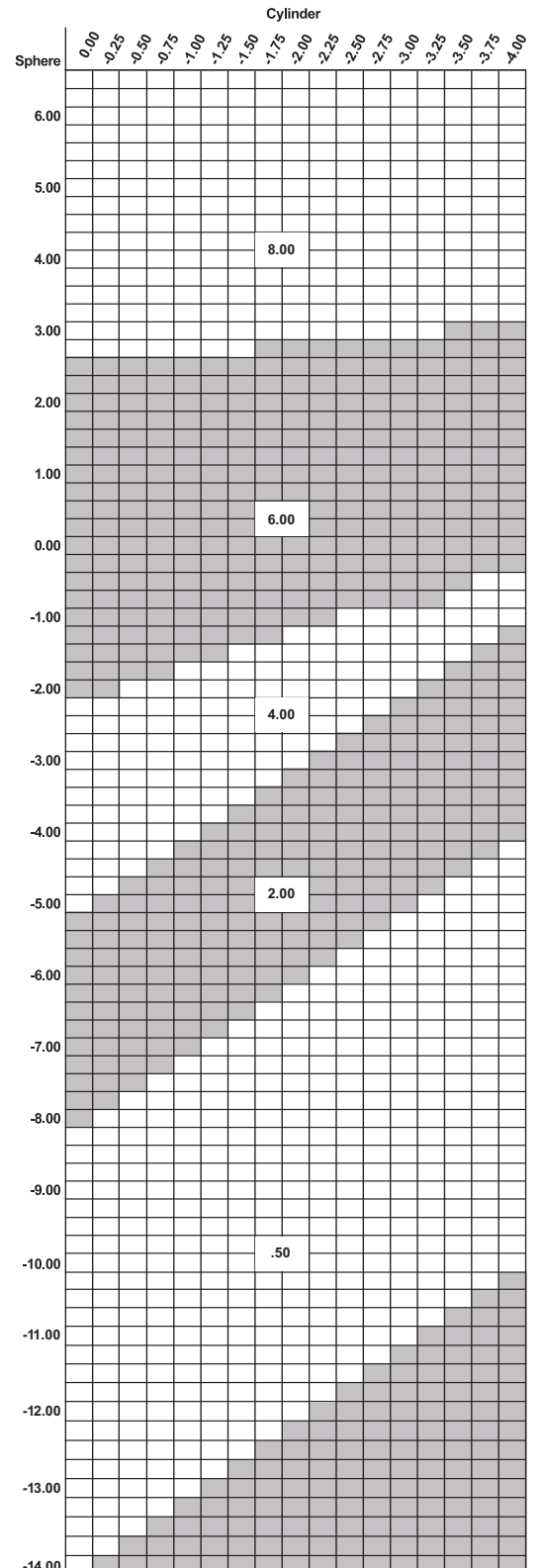
### Base Curve Selection



# Product Reference Guide



## Base Curve Selection



## Plastic

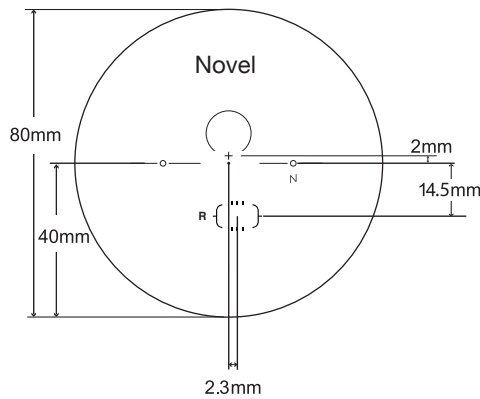
### ChangeRx D28 75mm (Gray, Brown)

Base Curve	True Curve (1.530)	Front Radius	50mm SAG*	Back Curve	Back Radius	CT (mm) Nominal	ET (mm) Nominal	Segment Drop	Location Inset
0.50	0.40	1325.00	0.24	-5.25	-100.95	7.6	14.3	6 D	6 In
2.25	2.32	228.45	1.37	-5.25	-100.95	7.0	11.1	6 D	6 In
4.25	4.14	128.02	2.46	-5.25	-100.95	7.6	9.2	6 D	6 In
6.25	6.35	83.46	3.83	-6.40	-82.81	7.9	8.0	6 D	6 In
8.00	7.97	66.50	4.88	-7.00	-75.71	8.5	6.9	6 D	6 In

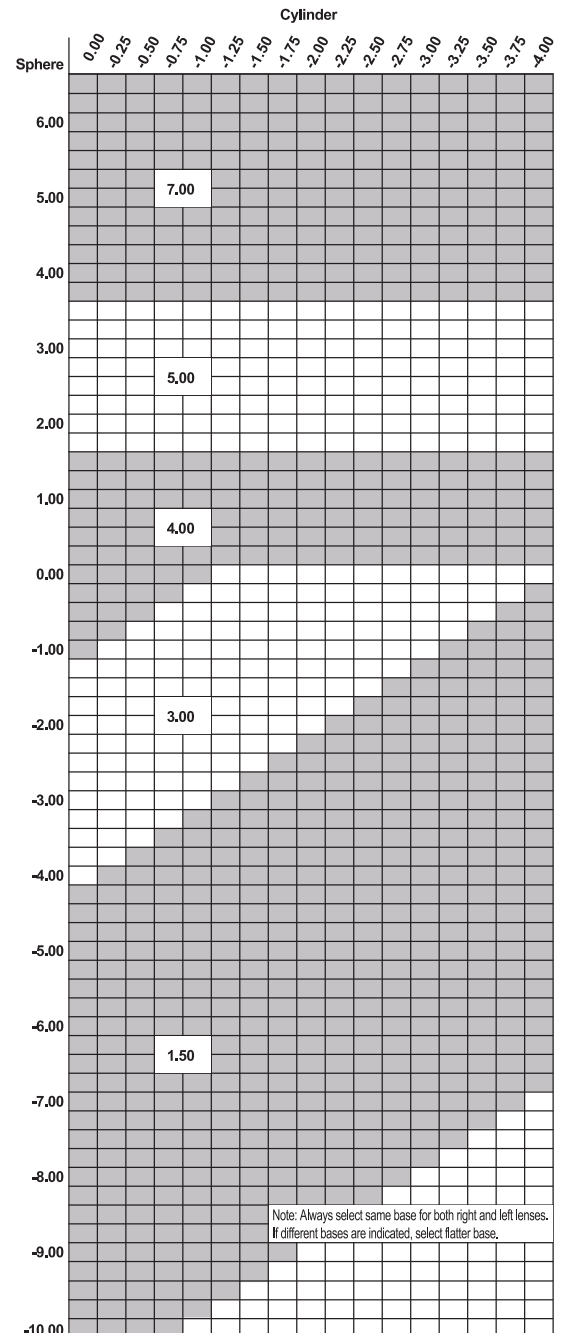
Base Curve	Adds
0.50	+1.00 to +3.00
2.25	+1.00 to +3.00
4.25	+1.00 to +3.00
6.25	+1.00 to +3.00
8.00	+1.00 to +3.00

\*Utilized for power calculation only, not for thickness calculation.

# Product Reference Guide



## Base Curve Selection



## Plastic

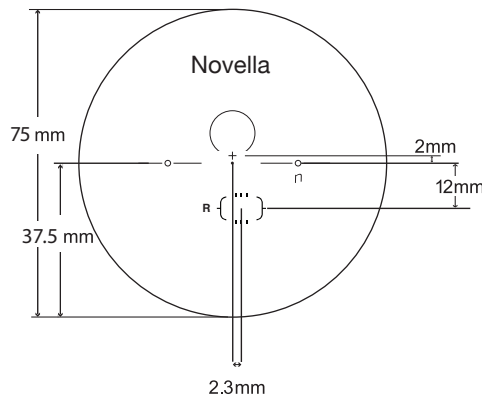
### Novel<sup>®</sup> ChangeRx Progressive Addition Lenses 80mm Progressive (Gray, Brown)

Base Curve	True Curve (1.530)	Front Radius	50mm SAG*	Back Curve	Back Radius	CT (mm) Nominal	ET (mm) Nominal	MRP Location
1.50	1.45	365.52	0.86	-6.35	-83.46	11.8	18.5	2.0 A 0.0 In
3.00	2.88	184.03	1.71	-7.00	-75.71	9.7	15.6	2.0 A 0.0 In
4.00	4.20	126.19	2.50	-7.00	-75.71	8.0	12.1	2.0 A 0.0 In
5.00	5.64	93.97	3.39	-7.00	-75.71	9.0	11.0	2.0 A 0.0 In
7.00	7.14	74.23	4.34	-5.90	-89.83	13.0	11.3	2.0 A 0.0 In

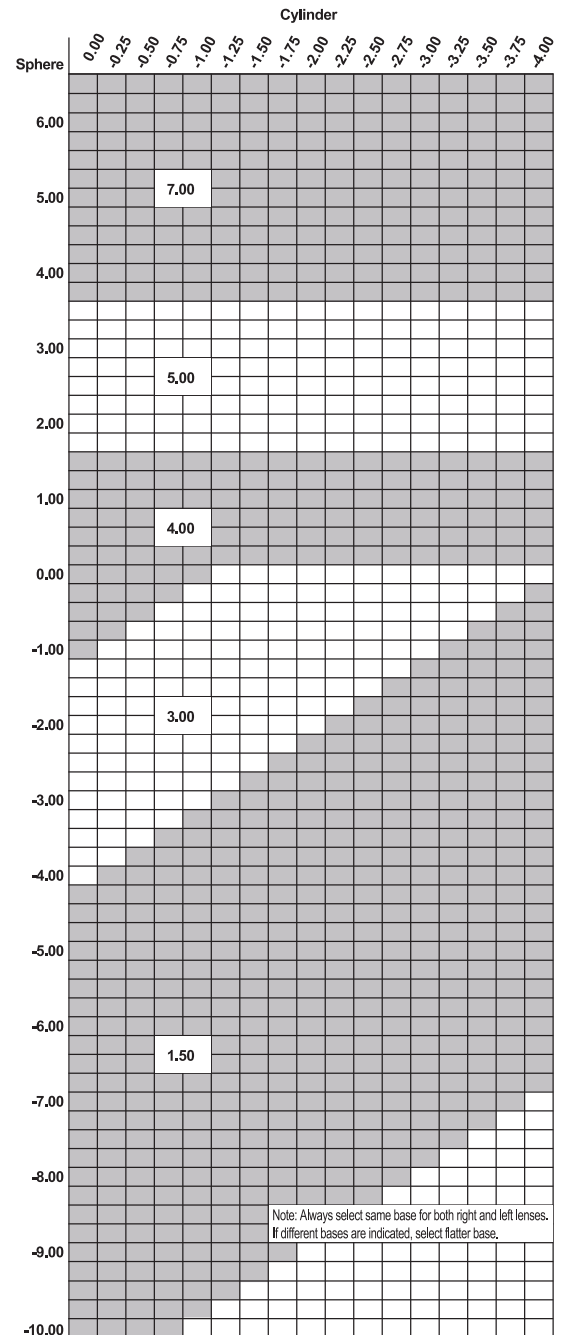
Base Curve	Adds
1.50	+1.00 to +3.00
3.00	+1.00 to +3.00
4.00	+1.00 to +3.00
5.00	+1.00 to +3.00
7.00	+1.00 to +3.00

\*Utilized for power calculation only, not for thickness calculation.

# Product Reference Guide



## Base Curve Selection



## Plastic

### Novella® ChangeRx Progressive Addition Lenses 75mm Progressive (Gray, Brown)

Base Curve	True Curve (1.530)	Front Radius	50mm SAG*	Back Curve	Back Radius	CT (mm) Nominal	ET (mm) Nominal	MRP Location
1.50	1.44	368.05	0.85	-6.25	-84.80	11.8	17.8	2.0 A 0.0 In
3.00	2.87	184.67	1.70	-6.50	-81.54	10.7	15.1	2.0 A 0.0 In
4.00	4.19	126.49	2.50	-6.50	-81.54	9.0	11.8	2.0 A 0.0 In
5.00	5.63	94.14	3.38	-6.50	-81.54	11.1	12.1	2.0 A 0.0 In
7.00	7.15	74.13	4.34	-5.90	-89.83	13.7	12.0	2.0 A 0.0 In

Base Curve	Adds
1.50	+1.00 to +3.00
3.00	+1.00 to +3.00
4.00	+1.00 to +3.00
5.00	+1.00 to +3.00
7.00	+1.00 to +3.00

\*Utilized for power calculation only, not for thickness calculation.