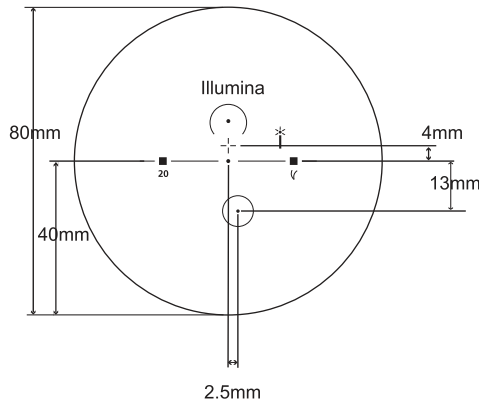
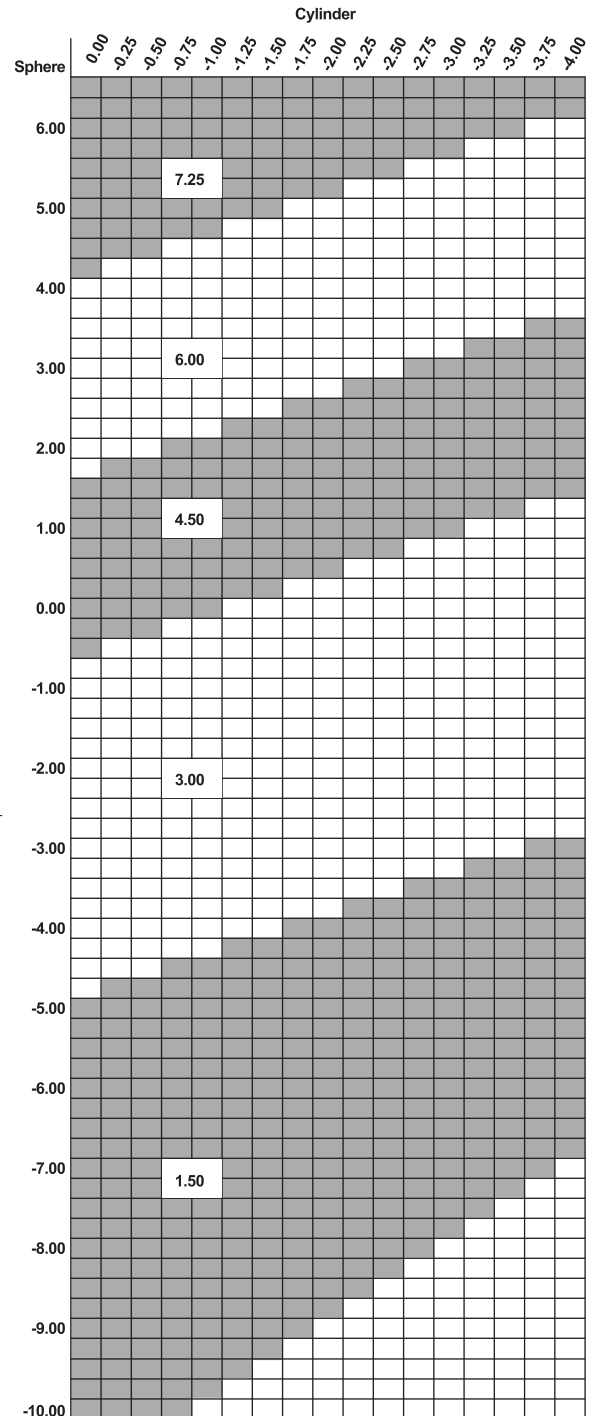


Product Reference Guide



Base Curve Selection



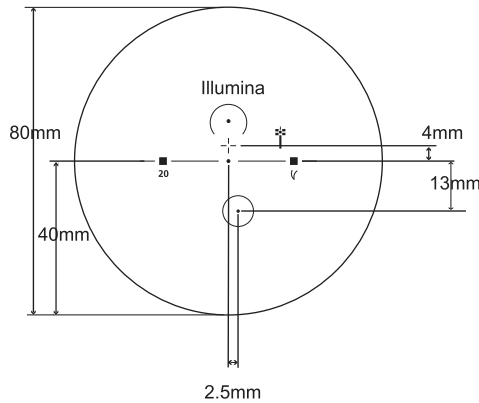
Polycarbonate

Illumina® Tegra® Aspheric Progressive Addition Lenses
80mm Progressive (Clear)

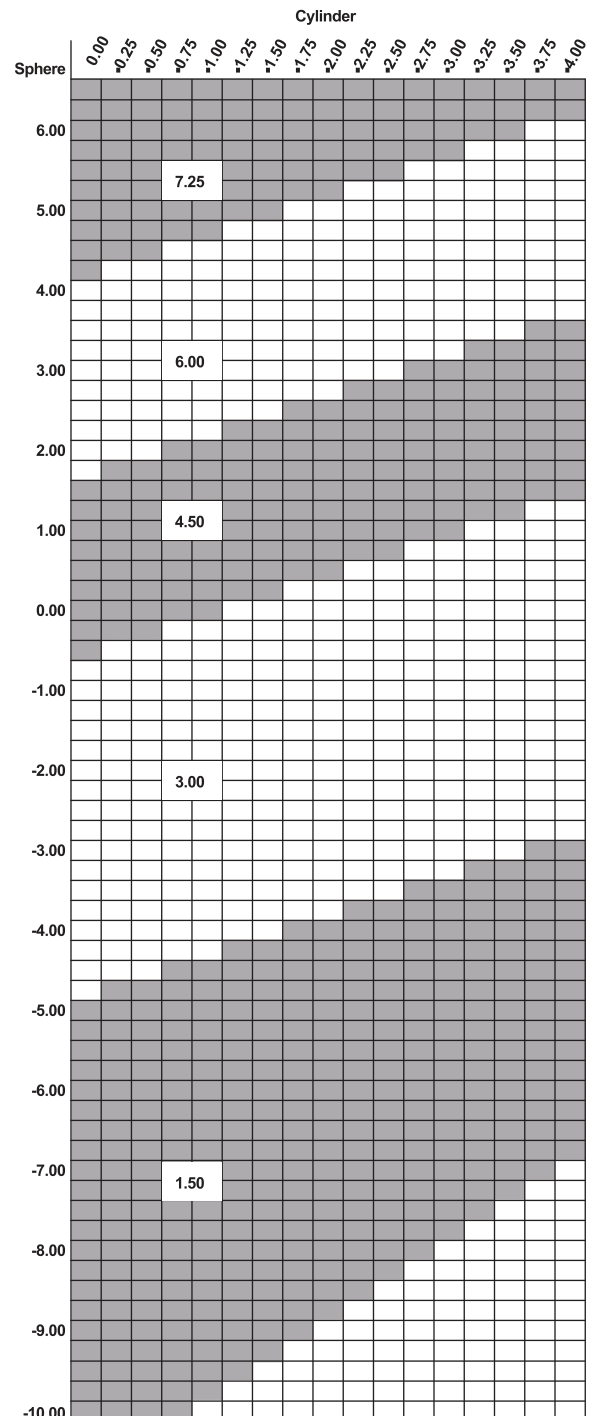
Base Curve	True Curve (1.530)	Front Radius	50mm SAG*	Back Curve	Back Radius	CT (mm) Nominal	ET (mm) Nominal	MRP Location
1.50	1.61	329.192	0.945	-6.25	-84.800	8.7	15.5	4.0 A 0.0 In
3.00	3.00	176.666	1.778	-6.25	-84.800	8.6	13.0	4.0 A 0.0 In
4.50	4.50	117.777	2.684	-4.53	-116.997	10.7	9.5	4.0 A 0.0 In
6.00	6.00	88.333	3.612	-6.25	-84.800	9.7	9.0	4.0 A 0.0 In
7.25	7.25	73.103	4.408	-7.50	-70.667	9.8	9.5	4.0 A 0.0 In

Base Curve	Clear
1.50	+0.75 to +3.50
3.00	+0.75 to +3.50
4.50	+0.75 to +3.50
6.00	+0.75 to +3.50
7.25	+0.75 to +3.50

Product Reference Guide



Base Curve Selection



Polycarbonate

Illumina® LifeRx® Photochromic Aspheric Progressive Addition Lenses

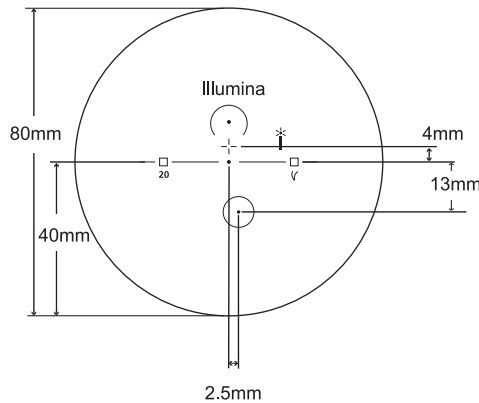
80mm Photochromic Progressive (Gray, Brown)

Base Curve	True Curve (1.530)	Front Radius	50mm SAG*	Back Curve	Back Radius	CT (mm) Nominal	ET (mm) Nominal	MRP Location
1.50	1.61	329.192	0.945	-6.25	-84.800	8.7	15.5	4.0 A 0.0 In
3.00	3.00	176.666	1.778	-6.25	-84.800	8.6	13.0	4.0 A 0.0 In
4.50	4.50	117.777	2.684	-4.53	-116.997	10.7	9.5	4.0 A 0.0 In
6.00	6.00	88.333	3.612	-6.25	-84.800	9.7	9.0	4.0 A 0.0 In
7.25	7.25	73.103	4.408	-7.50	-70.667	10.8	10.5	4.0 A 0.0 In

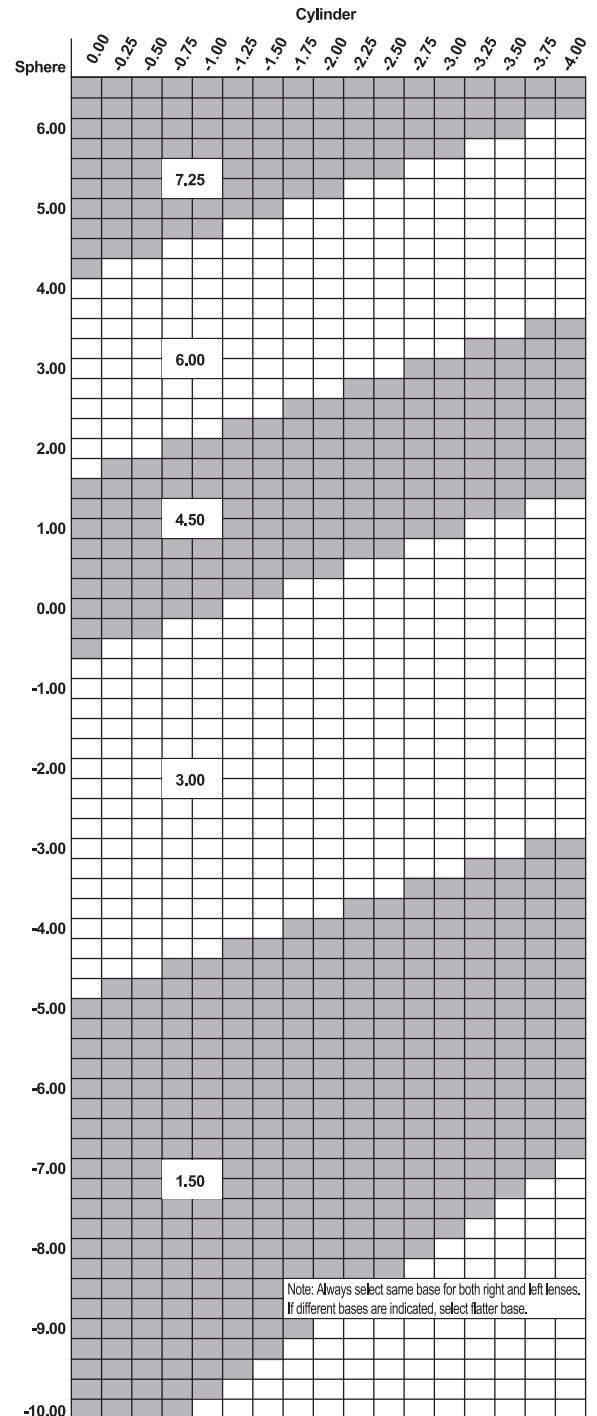
Base Curve	Gray	Brown
1.50	+1.00 to +3.50	+1.00 to +3.50
3.00	+1.00 to +3.50	+1.00 to +3.50
4.50	+1.00 to +3.50	+1.00 to +3.50
6.00	+1.00 to +3.50	+1.00 to +3.50
7.25	+1.00 to +3.50	+1.00 to +3.50

*Utilized for power calculation only, not for thickness calculation.

Product Reference Guide



Base Curve Selection



Polycarbonate

Illumina® Coppertone® Polarized Progressive Addition Lenses

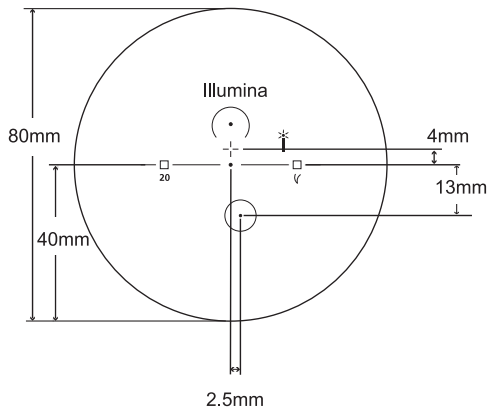
80mm Polarized Progressive (HEV Brown, HEV Gray)

Base Curve	True Curve (1.530)	Front Radius	50mm SAG*	Back Curve	Back Radius	CT (mm) Nominal	ET (mm) Nominal	MRP Location
1.50	1.61	329.192	0.945	-6.25	-84.800	8.7	15.5	4.0 A 0.0 In
3.00	3.03	174.917	1.800	-6.25	-84.800	8.6	13.0	4.0 A 0.0 In
4.50	4.50	117.777	2.684	-4.53	-116.997	10.7	9.5	4.0 A 0.0 In
6.00	6.00	88.333	3.612	-6.25	-84.800	9.7	9.0	4.0 A 0.0 In
7.25	7.25	73.103	4.408	-7.50	-70.667	10.8	10.5	4.0 A 0.0 In

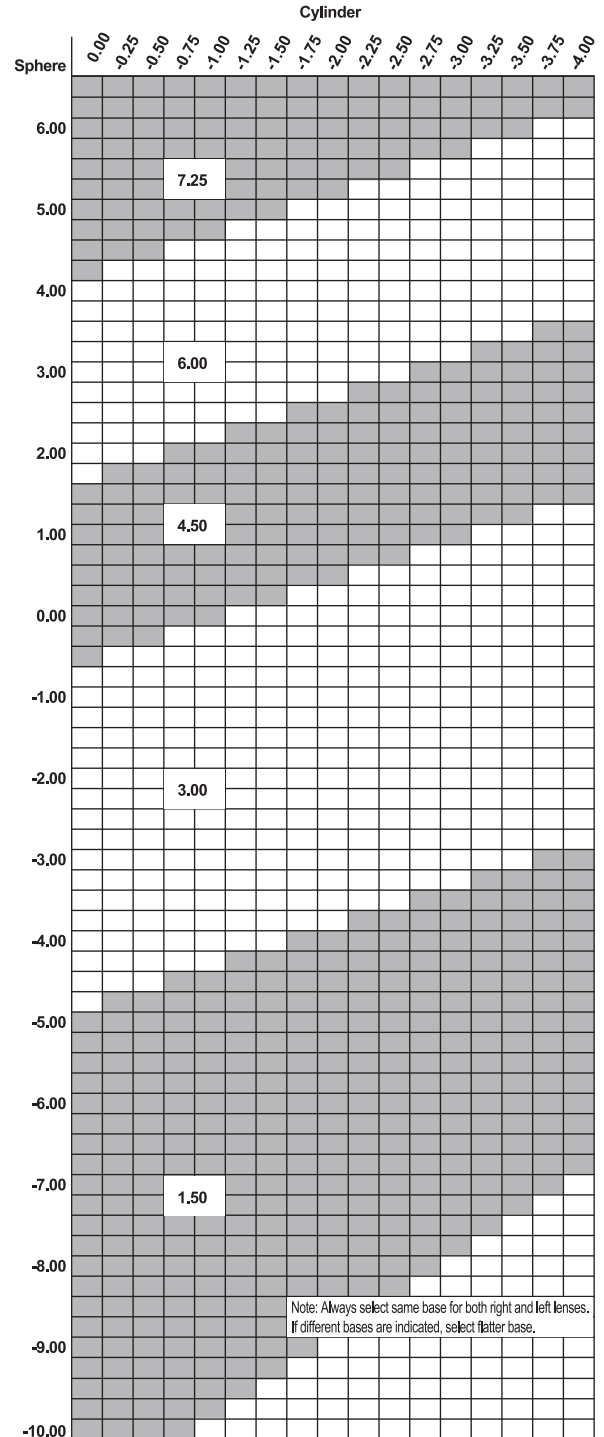
Base Curve	HEV Brown	HEV Gray
1.50	+0.75 to +3.50	+0.75 to +3.50
3.00	+0.75 to +3.50	+0.75 to +3.50
4.50	+0.75 to +3.50	+0.75 to +3.50
6.00	+0.75 to +3.50	+0.75 to +3.50
7.25	+0.75 to +3.50	+0.75 to +3.50

*Utilized for power calculation only, not for thickness calculation.

Product Reference Guide



Base Curve Selection



Polycarbonate

Illumina® SunRx® Polarized Aspheric Progressive Addition Lenses

80mm Polarized Progressive (Gray)

Base Curve	True Curve (1.530)	Front Radius	50mm SAG*	Back Curve	Back Radius	CT (mm) Nominal	ET (mm) Nominal	MRP Location
1.50	1.61	329.192	0.945	-6.25	-84.800	8.7	15.5	4.0 A 0.0 In
3.00	3.03	174.917	1.800	-6.25	-84.800	8.6	13.0	4.0 A 0.0 In
4.50	4.50	117.777	2.684	-4.53	-116.997	10.7	9.5	4.0 A 0.0 In
6.00	6.00	88.333	3.612	-6.25	-84.800	9.7	9.0	4.0 A 0.0 In
7.25	7.25	73.103	4.408	-7.50	-70.667	10.8	10.5	4.0 A 0.0 In

Base Curve	Gray
1.50	+0.75 to +3.50
3.00	+0.75 to +3.50
4.50	+0.75 to +3.50
6.00	+0.75 to +3.50
7.25	+0.75 to +3.50

*Utilized for power calculation only, not for thickness calculation.