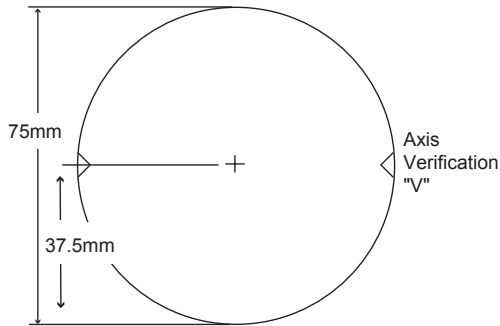
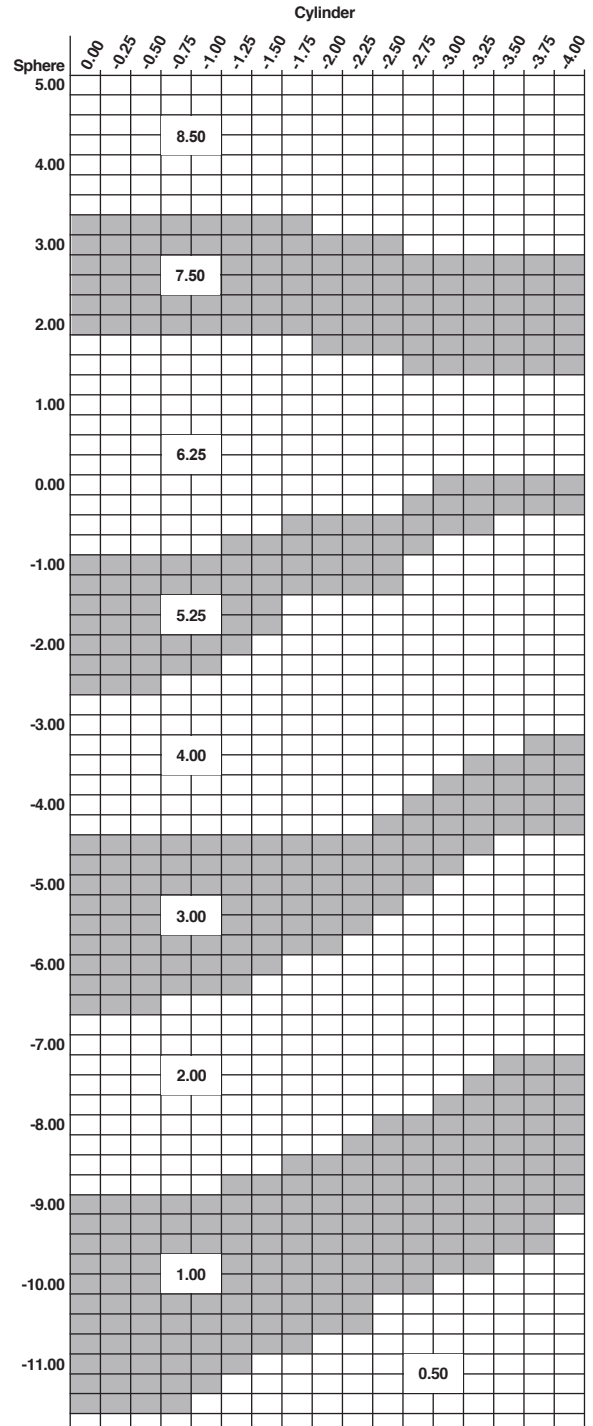


Product Reference Guide



Base Curve Selection



Polycarbonate

VISION EASE Polarized Prescription Semi-Finished Single Vision

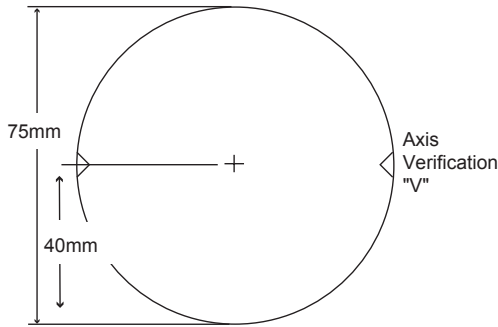
75mm Polarized Single Vision (Gray, Brown and Classic Green)

Base Curve	True Curve (1.530)	Front Radius	50mm SAG*	Back Curve	Back Radius	CT (mm) Nominal	CT (mm) Minimum	ET (mm) Nominal
0.50	0.45	1177.778	0.265	-6.25	-84.800	9.4	8.9	17.5
1.00	1.13	469.027	0.667	-6.25	-84.800	10.2	9.7	17.4
2.00	2.03	261.084	1.200	-6.25	-84.800	8.0	7.5	14.0
3.00	2.94	180.272	1.742	-6.25	-84.800	9.2	8.7	14.0
4.00	4.07	130.221	2.422	-6.25	-84.800	8.8	8.3	12.0
5.25	5.20	101.923	3.114	-6.25	-84.800	8.6	8.1	10.2
6.25	6.33	83.728	3.819	-6.25	-84.800	8.6	8.1	8.0
7.50	7.46	71.046	4.544	-6.25	-84.800	9.5	8.5	7.5
**8.50	8.60	61.628	5.299	-6.25	-84.800	11.0	10.5	7.0

*Utilized for power calculation only, not for thickness calculation.

**Not available in Classic Green.

Product Reference Guide



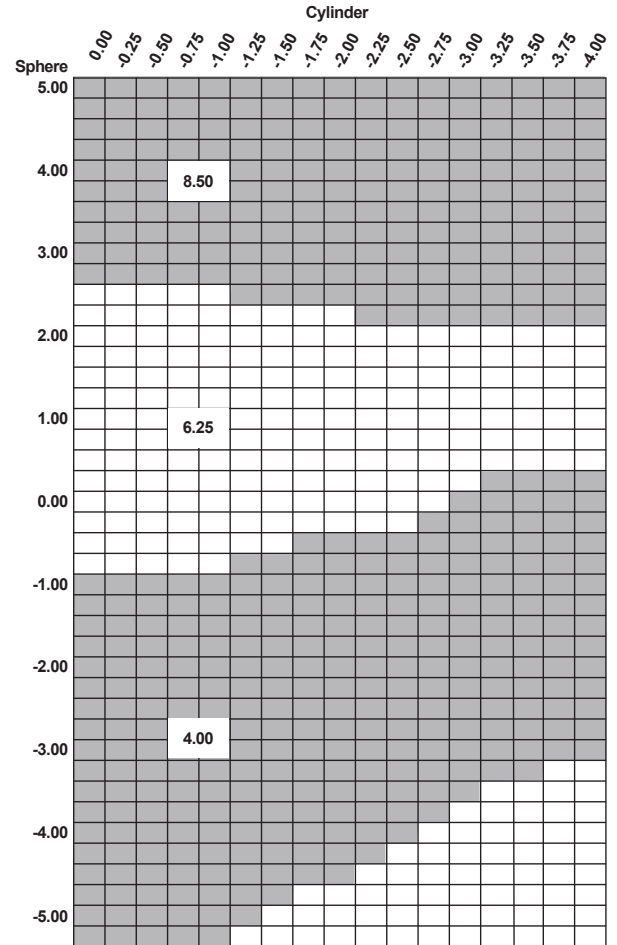
Polycarbonate

VISION EASE Polarized Prescription Semi-Finished Single Vision
75mm Polarized Single Vision (Blue)

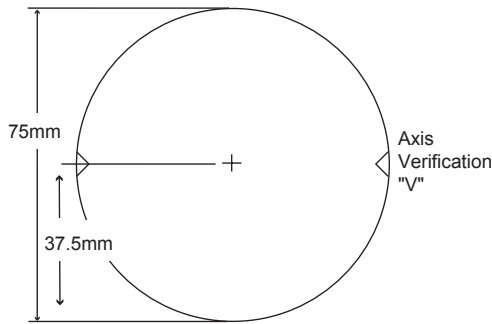
Base Curve	True Curve (1.530)	Front Radius	50mm SAG*	Back Curve	Back Radius	CT (mm) Nominal	CT (mm) Minimum	ET (mm) Nominal
4.00	4.07	130.221	2.422	-6.25	-84.800	8.8	8.3	12.0
6.25	6.33	83.728	3.819	-6.25	-84.800	8.6	8.1	8.0
8.50	8.60	61.628	5.299	-6.25	-84.800	11.0	10.5	7.0

*Utilized for power calculation only, not for thickness calculation.

Base Curve Selection



Product Reference Guide



Polycarbonate

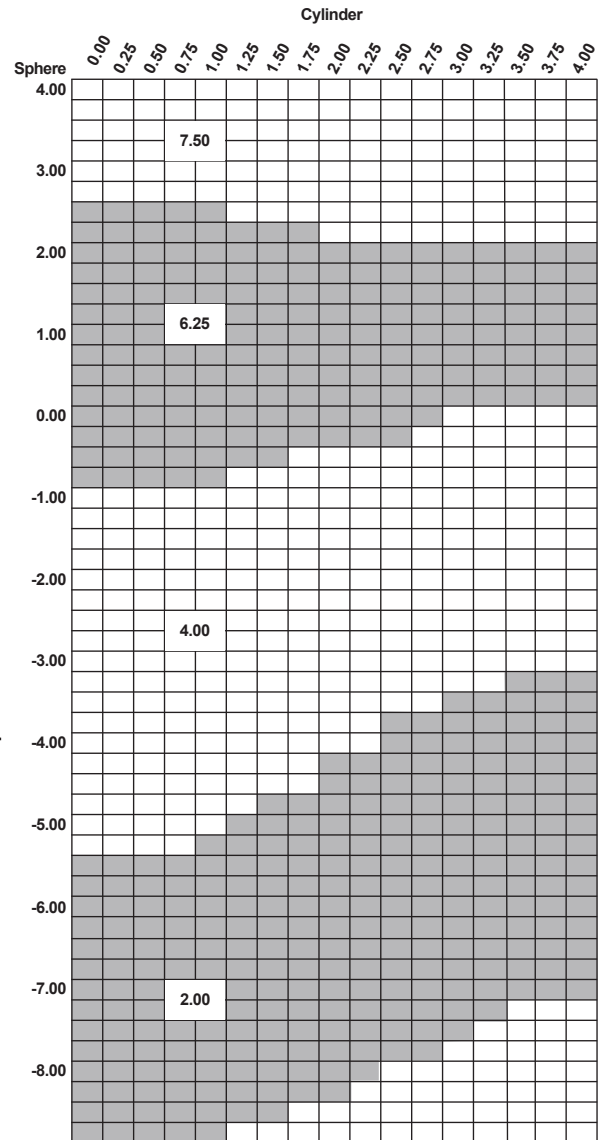
VISION EASE Polarized Prescription Semi-Finished Single Vision

75mm Polarized Single Vision
(Mirror Coated: Blue, Gold, Silver on Polarized Gray Base Lens)

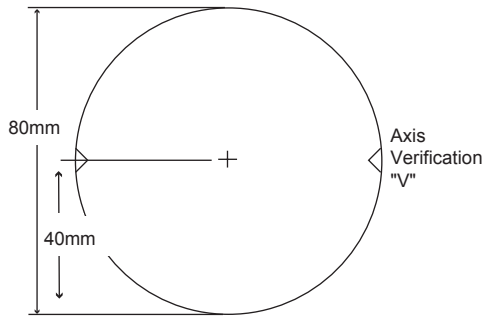
Base Curve	True Curve (1.530)	Front Radius	50mm SAG*	Back Curve	Back Radius	CT (mm) Nominal	ET (mm) Nominal
2.00	2.03	261.084	1.200	-6.25	-84.800	8.0	14.0
4.00	4.07	130.221	2.422	-6.25	-84.800	8.8	12.0
6.25	6.33	83.728	3.819	-6.25	-84.800	8.6	8.0
7.50	7.46	71.046	4.544	-6.25	-84.800	9.5	7.5

*Utilized for power calculation only, not for thickness calculation.

Base Curve Selection



Product Reference Guide



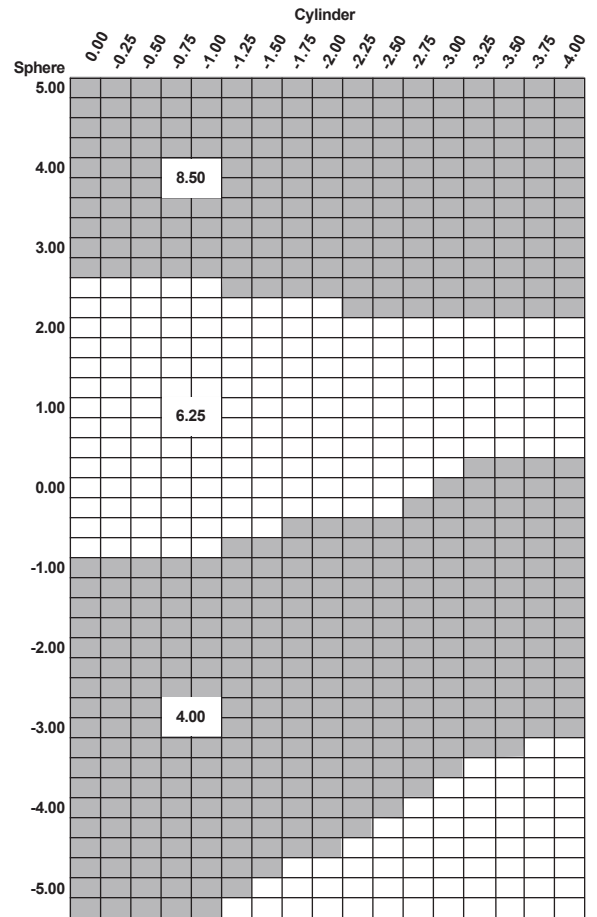
Polycarbonate

**VISION EASE Polarized Prescription
Semi-Finished Single Vision**
80mm Polarized Single Vision (Gray)

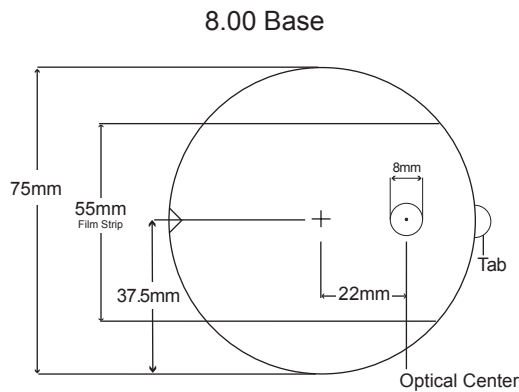
Base Curve	True Curve (1.530)	Front Radius	50mm SAG*	Back Curve	Back Radius	CT (mm) Nominal	CT (mm) Minimum	ET (mm) Nominal
4.00	4.07	130.221	2.422	-7.50	-70.67	7.5	7.0	13.7
6.25	6.33	83.728	3.819	-7.50	-70.67	8.6	8.1	10.9
8.50	8.20	64.63	5.031	-7.50	-70.67	10.7	10.2	9.3

*Utilized for power calculation only, not for thickness calculation.

Base Curve Selection



Product Reference Guide



Polycarbonate

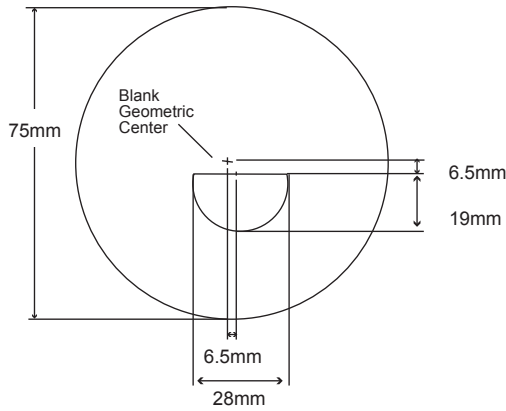
VISION EASE Polarized Plano Lenses (Plano Uncuts)

75mm Finished Single Vision (Gray and Brown)

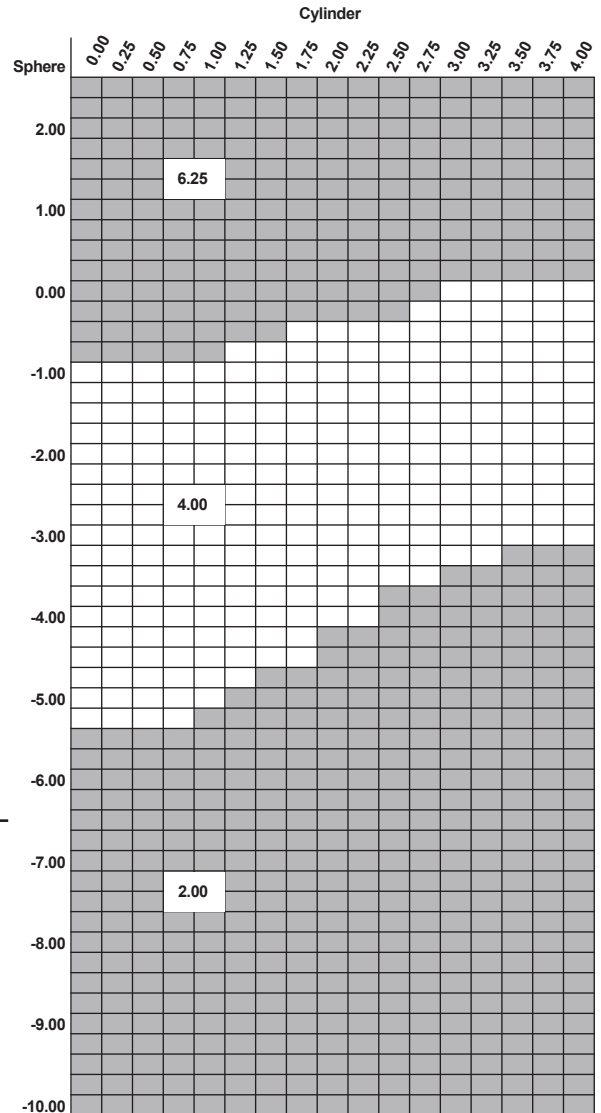
Base Curve	Front Curve	Front Radius	CT (mm) Nominal
6.00	5.60	94.64	2.0
8.00*	7.60	69.74	2.0

*De-centered. The optical center of the 8.00 base is an 8mm diameter circle from the geometric center along a line connecting the geometric center and the center of the tab.

Product Reference Guide



Base Curve Selection



Polycarbonate

VISION EASE Polarized Prescription Bifocal

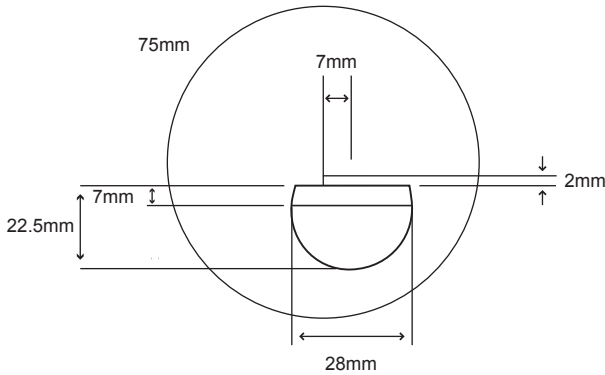
75mm Polarized D28 Bifocal (Gray, Brown and Classic Green)

Base Curve	True Curve (1.530)	Front Radius	50mm SAG*	Back Curve	Back Radius	CT (mm) Nominal	ET (mm) Nominal	Segment Drop	Location Inset
2.00	2.03	261.084	1.200	-6.25	-84.800	8.0	14.0	6.5 D	6.5 In
4.00	4.07	130.221	2.422	-6.25	-84.800	8.8	12.0	6.5 D	6.5 In
6.25	6.33	83.728	3.819	-6.25	-84.800	8.6	8.5	6.5 D	6.5 In

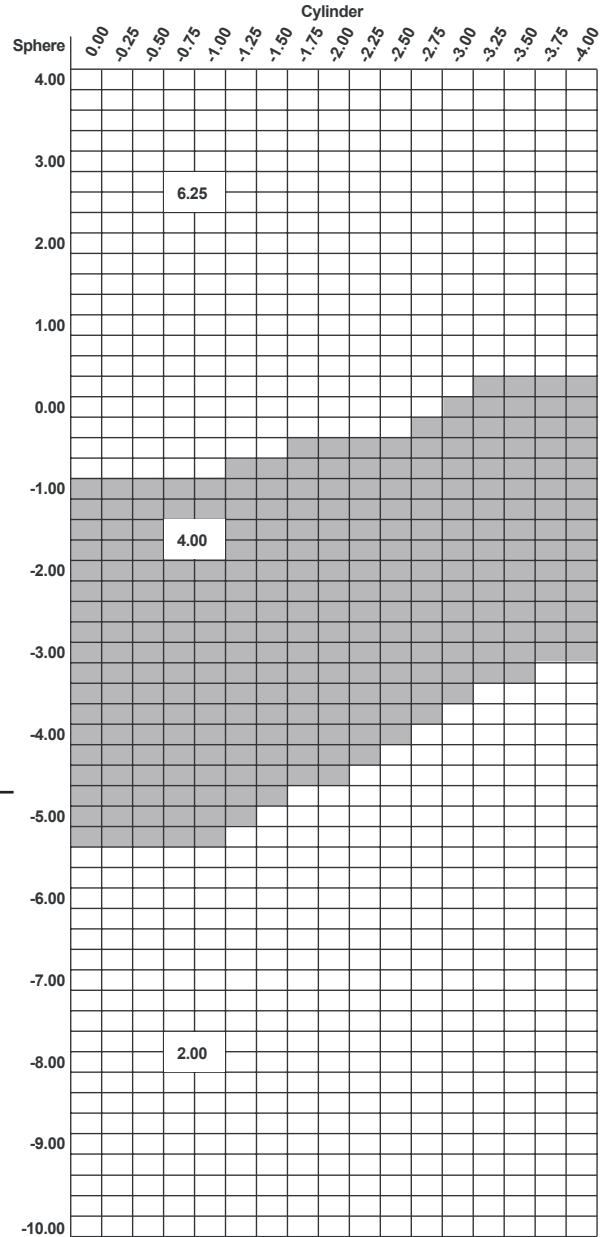
Base Curve	Gray	Brown	Classic Green
2.00	+1.00 to +3.00	+1.00 to +3.00	-
4.00	+1.00 to +3.00	+1.00 to +3.00	+1.25 to +3.00
6.25	+1.00 to +3.00	+1.00 to +3.00	+1.25 to +3.00

*Utilized for power calculation only, not for thickness calculation.

Product Reference Guide



Base Curve Selection



Polycarbonate

VISION EASE Polarized Prescription Trifocal

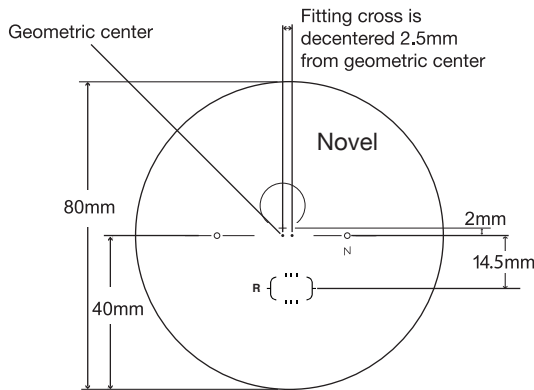
75mm Polarized 7x28 Trifocal (Gray)

Base Curve	True Curve (1.530)	Front Radius	50mm SAG*	Back Curve	Back Radius	CT (mm) Nominal	ET (mm) Nominal	Segment Drop	Location Inset
2.00	2.03	261.084	1.200	-6.25	-84.800	8.0	14.0	2.0 D	7.0 In
4.00	4.07	130.221	2.422	-6.25	-84.800	8.8	12.0	2.0 D	7.0 In
6.25	6.33	83.728	3.819	-6.25	-84.800	8.6	8.5	2.0 D	7.0 In

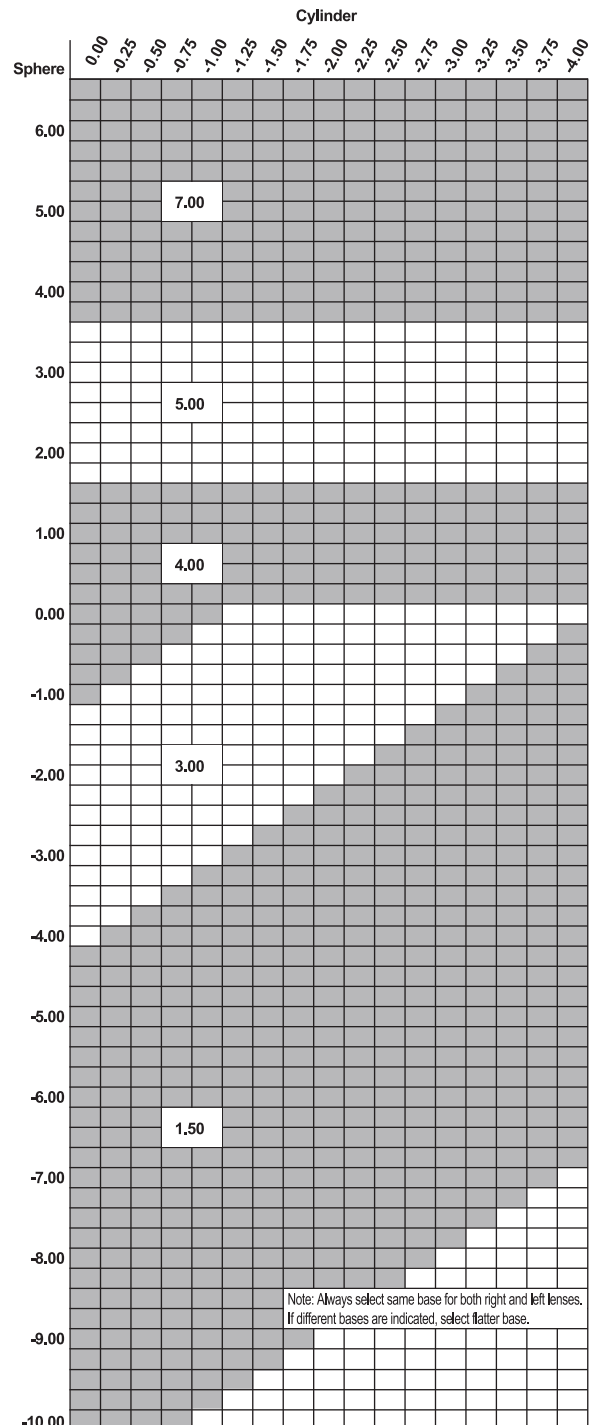
Base Curve	Gray
2.00	+1.50 to +3.00
4.00	+1.50 to +3.00
6.25	+1.50 to +3.00

*Utilized for power calculation only, not for thickness calculation.

Product Reference Guide



Base Curve Selection



Polycarbonate

VISION EASE Polarized Novel® Aspheric (Decentered) Progressive Addition Lenses

80/85mm Polarized Progressive (Gray and Brown)

Base Curve	True Curve (1.530)	Front Radius (mm)	50mm SAG*	Back Curve	Back Radius (mm)	CT (mm) Nominal	ET (mm) Nominal	MRP Location
1.50	1.31	404.58	0.773	-7.50	-70.67	7.0	16.9	2.0 A 2.5 In
3.00	2.73	194.14	1.616	-6.25	-84.8	7.5	12.9	2.0 A 2.5 In
4.00	4.15	127.71	2.471	-6.25	-84.8	8.0	11.2	2.0 A 2.5 In
5.00	5.37	98.70	3.219	-6.25	-84.8	10.1	11.3	2.0 A 2.5 In
7.00	6.90	76.81	4.182	-7.50	-70.65	10.0	11.0	2.0 A 2.5 In

Base Curve	Gray	Brown
1.50	+1.00 to +3.00	+1.00 to +3.00
3.00	+1.00 to +3.00	+1.00 to +3.00
4.00	+1.00 to +3.00	+1.00 to +3.00
5.00	+1.00 to +3.00	+1.00 to +3.00
7.00	+1.00 to +3.00	+1.00 to +3.00

*Utilized for power calculation only, not for thickness calculation.

Note: Always select same base for both right and left lenses. If different bases are indicated, select flatter base.