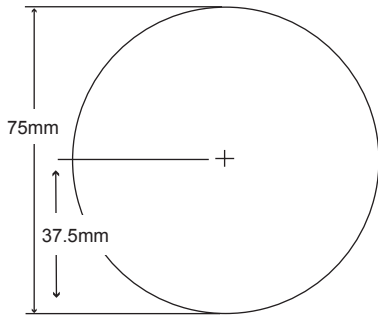


# Product Reference Guide



## Polycarbonate

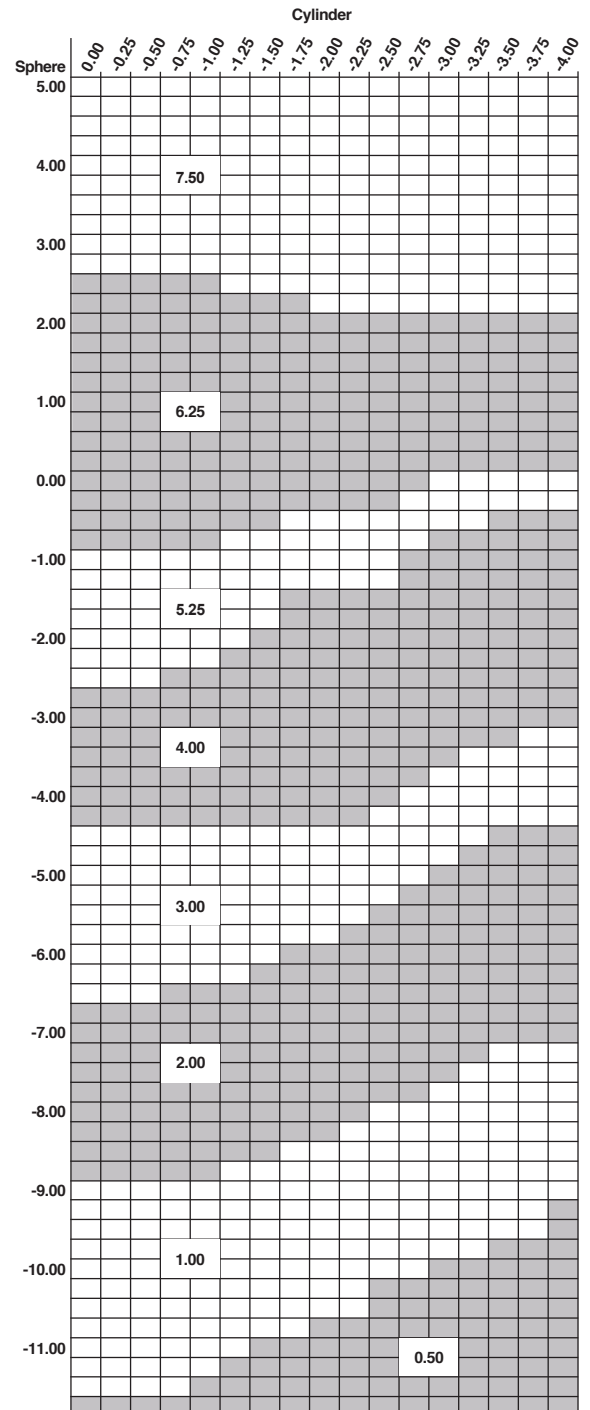
### VISION EASE Photochromic Semi-Finished Single Vision

75mm (Gray, Brown)

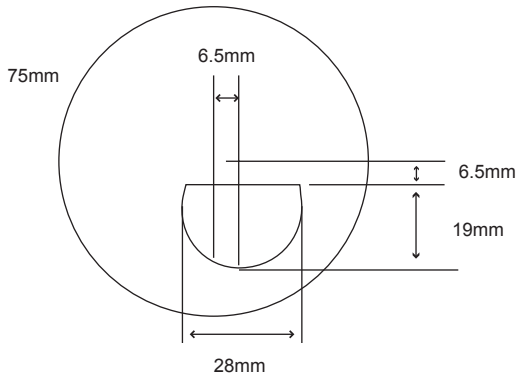
Base Curve	True Curve (1.530)	Front Radius	50mm SAG*	Back Curve	Back Radius	CT (mm) Nominal	CT (mm) Minimum	ET (mm) Nominal
0.50	0.45	1177.778	0.265	-6.25	-84.800	9.4	8.9	17.5
1.00	1.13	469.027	0.667	-6.25	-84.800	10.2	9.7	17.4
2.00	2.03	261.084	1.200	-6.25	-84.800	8.0	7.5	14.0
3.00	2.94	180.272	1.742	-6.25	-84.800	9.2	8.7	14.0
4.00	4.07	130.221	2.422	-6.25	-84.800	8.8	8.3	12.0
5.25	5.20	101.923	3.114	-6.25	-84.800	8.6	8.1	10.2
6.25	6.33	83.728	3.819	-6.25	-84.800	8.6	8.1	8.5
7.50	7.46	71.046	4.544	-6.25	-84.800	10.7	10.2	8.7

\*Utilized for power calculation only, not for thickness calculation.

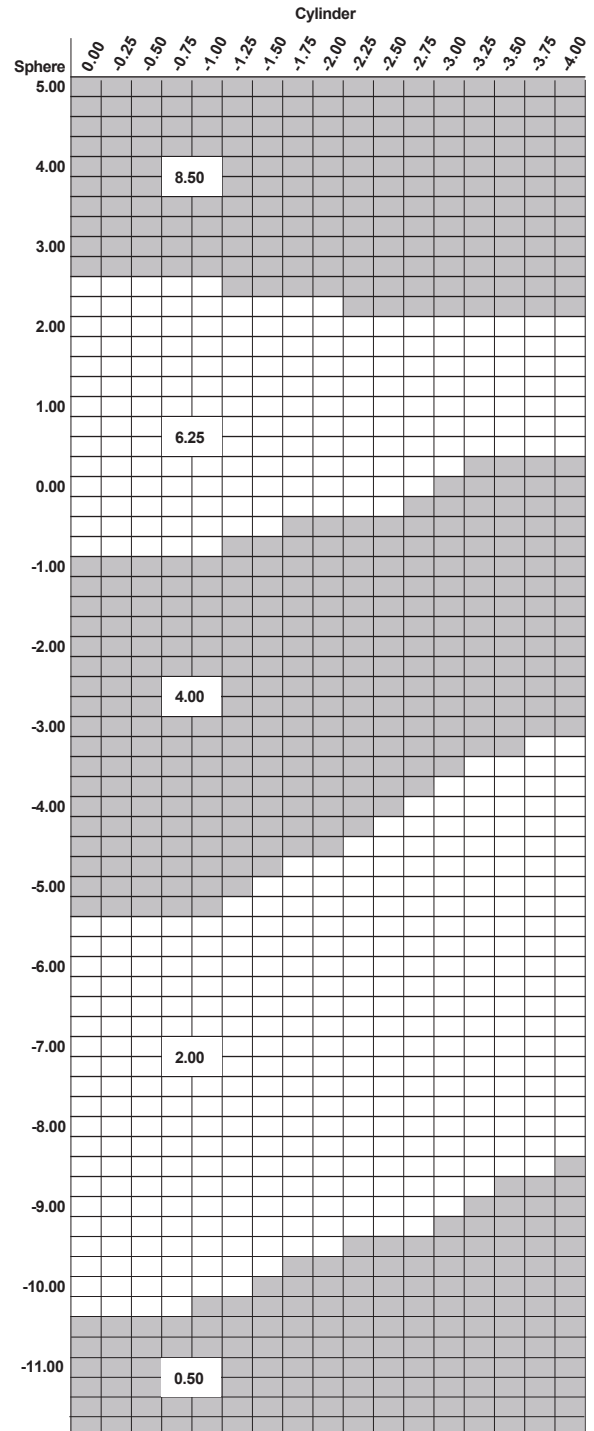
### Base Curve Selection



# Product Reference Guide



Base Curve Selection



## Polycarbonate

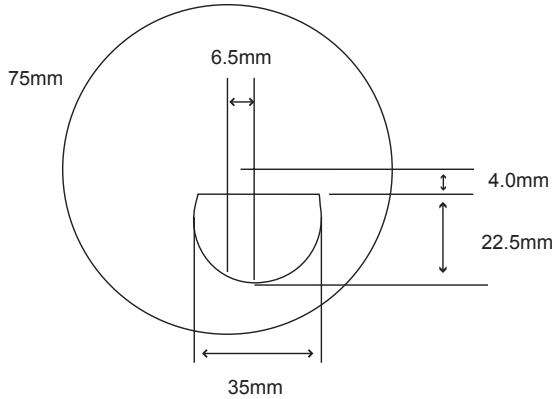
### VISION EASE Photochromic Bifocal 75mm Spherical D28 (Gray, Brown)

Base Curve	True Curve (1.530)	Front Radius	50mm SAG*	Back Curve	Back Radius	CT (mm) Nominal	ET (mm) Nominal	Drop	Inset
0.50	0.44	1204.545	0.260	-6.25	-84.800	8.9	17.0	6.5 D	6.5 In
2.00	2.03	261.084	1.200	-6.25	-84.800	8.0	14.0	6.5 D	6.5 In
4.00	4.07	130.221	2.422	-6.25	-84.800	8.8	12.0	6.5 D	6.5 In
6.25	6.36	83.333	3.838	-6.25	-84.800	8.6	8.5	6.5 D	6.5 In
8.50	8.59	61.700	5.292	-7.50	-70.667	9.0	7.0	6.5 D	6.5 In

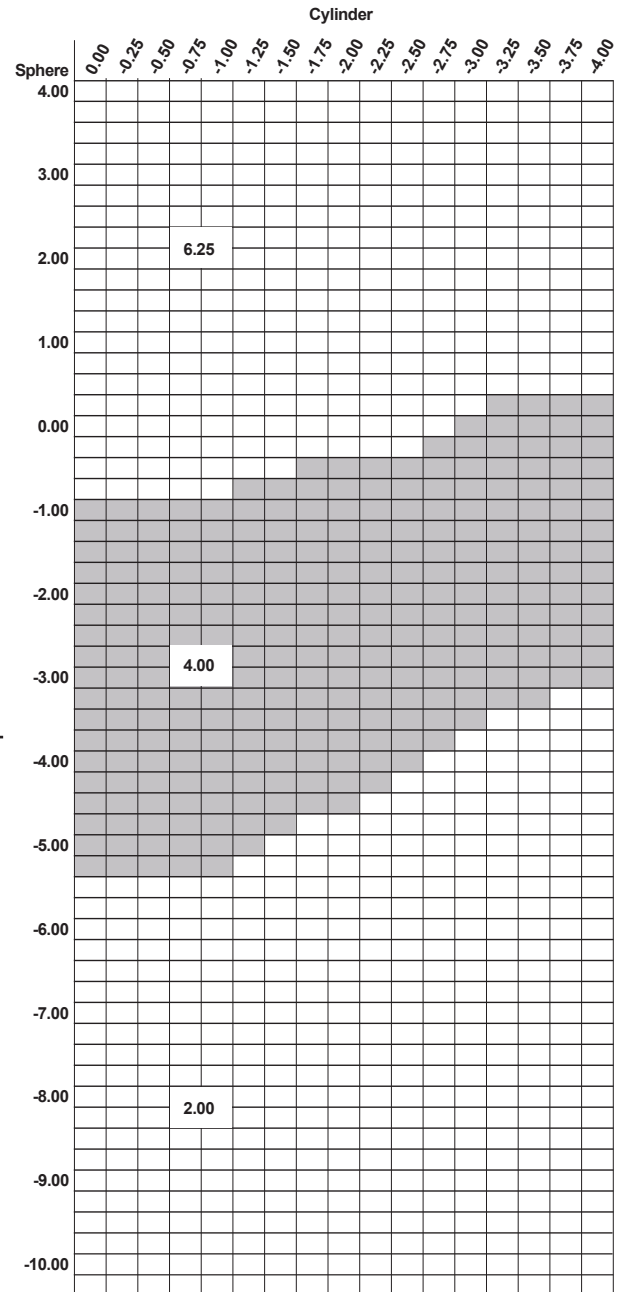
Base Curve	Adds
0.50	+2.00 to +3.00
2.00	+1.00 to +4.00
4.00	+1.00 to +4.00
6.25	+1.00 to +4.00
8.50	+1.00 to +4.00

\*Utilized for power calculation only, not for thickness calculation.

# Product Reference Guide



## Base Curve Selection



## Polycarbonate

### VISION EASE Photochromic Bifocal

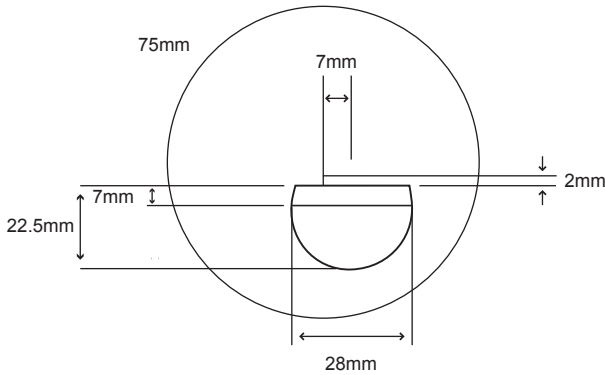
75mm Spherical D35 (Gray)

Base Curve	True Curve (1.530)	Front Radius	50mm SAG*	Back Curve	Back Radius	CT (mm) Nominal	ET (mm) Nominal	Drop	Inset
2.00	2.03	261.084	1.200	-6.25	-84.800	8.0	14.0	4.0 D	6.5 In
4.00	4.07	130.221	2.422	-6.25	-84.800	8.8	12.0	4.0 D	6.5 In
6.25	6.33	83.728	3.819	-6.25	-84.800	8.6	8.5	4.0 D	6.5 In

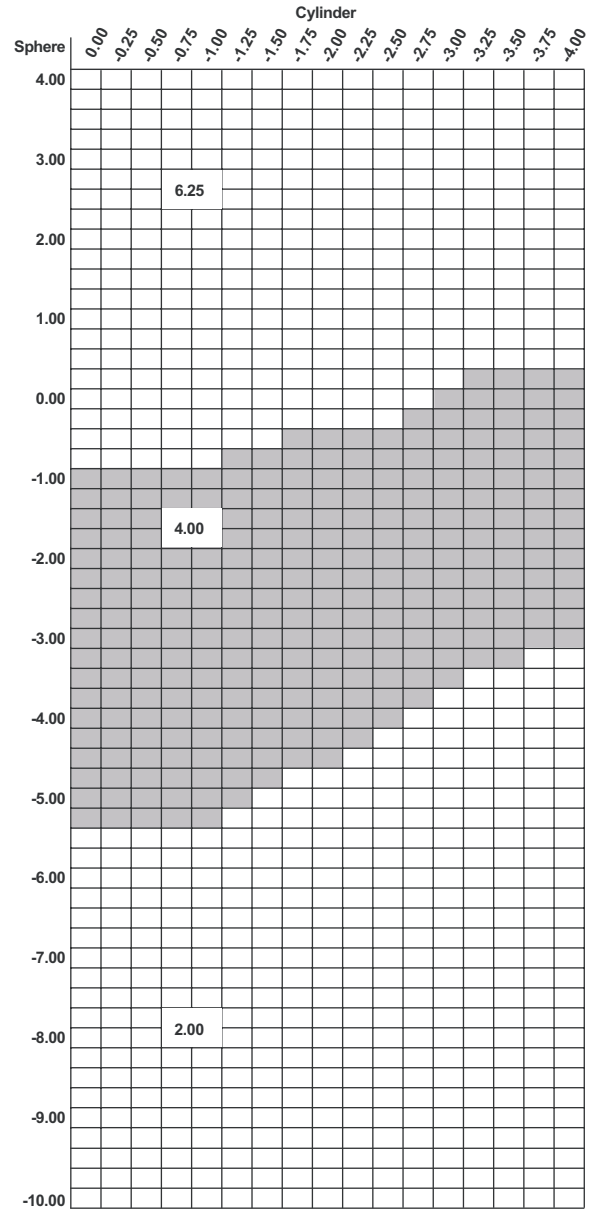
Base Curve	Gray
2.00	+1.00 to +3.00
4.00	+1.00 to +3.00
6.25	+1.00 to +3.00

\*Utilized for power calculation only, not for thickness calculation.

# Product Reference Guide



## Base Curve Selection



## Polycarbonate

### VISION EASE Photochromic Trifocal

75mm Spherical 7x28 (Gray)

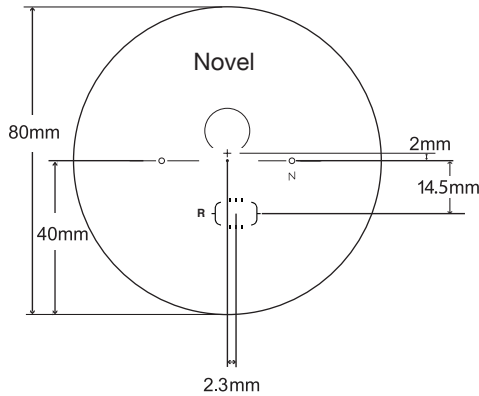
Base Curve	True Curve (1.530)	Front Radius	50mm SAG*	Back Curve	Back Radius	CT (mm) Nominal	ET (mm) Nominal Drop	Inset
2.00	2.03	261.084	1.200	-6.25	-84.800	8.0	13.9	2.0 D 7.0 In
4.00	4.07	130.221	2.422	-6.25	-84.800	8.8	12.0	2.0 D 7.0 In
6.25	6.36	83.728	3.838	-6.25	-84.800	8.6	8.5	2.0 D 7.0 In

Base Curve	Gray
2.00	+1.50 to +3.00
4.00	+1.50 to +3.00
6.25	+1.50 to +3.00

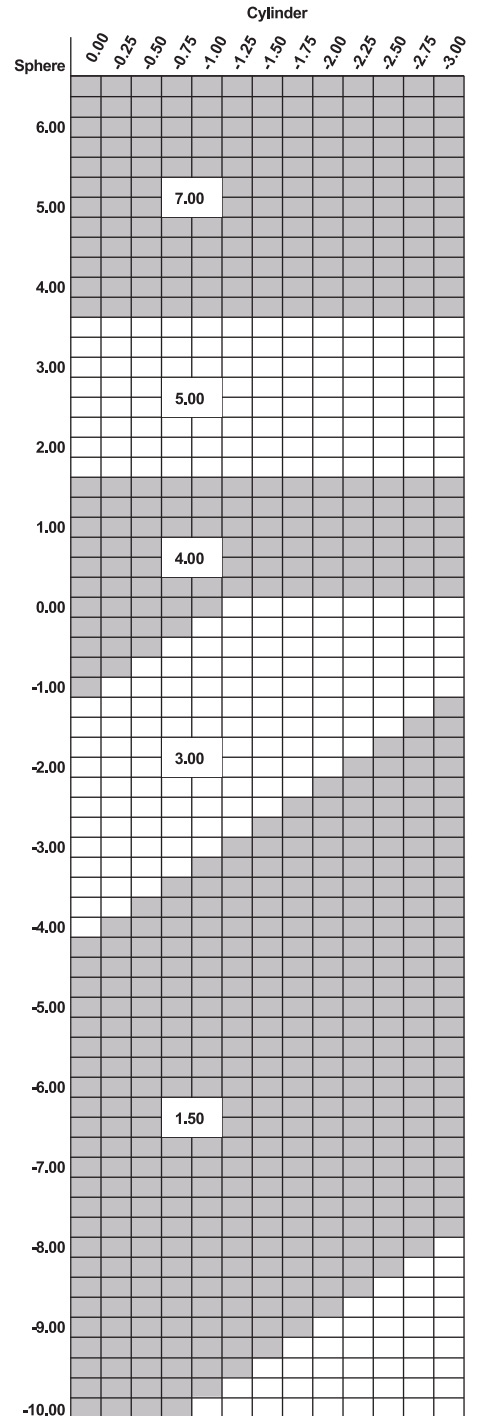
\*Utilized for power calculation only, not for thickness calculation.

# Product Reference Guide

Fitting cross is decentered 2.5mm from the geometric center.



## Base Curve Selection



## Polycarbonate

### VISION EASE Photochromic Novel Decentered, Aspheric Progressive Addition Lenses

80mm (Gray)

Base Curve	True Curve (1.530)	Front Radius	50mm SAG*	Back Curve	Back Radius	CT (mm) Nominal	ET (mm) Nominal	MRP Location
1.50	1.31	404.580	0.773	-7.50	-70.667	7.0	16.9	2.0 A 2.5 In
3.00	2.73	194.140	1.616	-6.25	-84.800	7.5	12.9	2.0 A 2.5 In
4.00	4.15	127.711	2.471	-6.25	-84.800	8.0	11.2	2.0 A 2.5 In
5.00	5.37	98.696	3.219	-6.25	-84.800	10.1	11.3	2.0 A 2.5 In
7.00	6.90	76.812	4.182	-7.50	-70.667	10.0	11.0	2.0 A 2.5 In

Base Curve	Adds
1.50	+1.00 to +3.00
3.00	+1.00 to +3.00
4.00	+1.00 to +3.00
5.00	+1.00 to +3.00
7.00	+1.00 to +3.00

\*Utilized for power calculation only, not for thickness calculation.