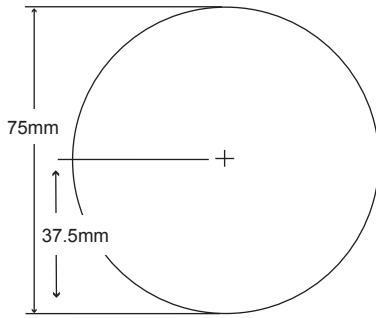


Product Reference Guide



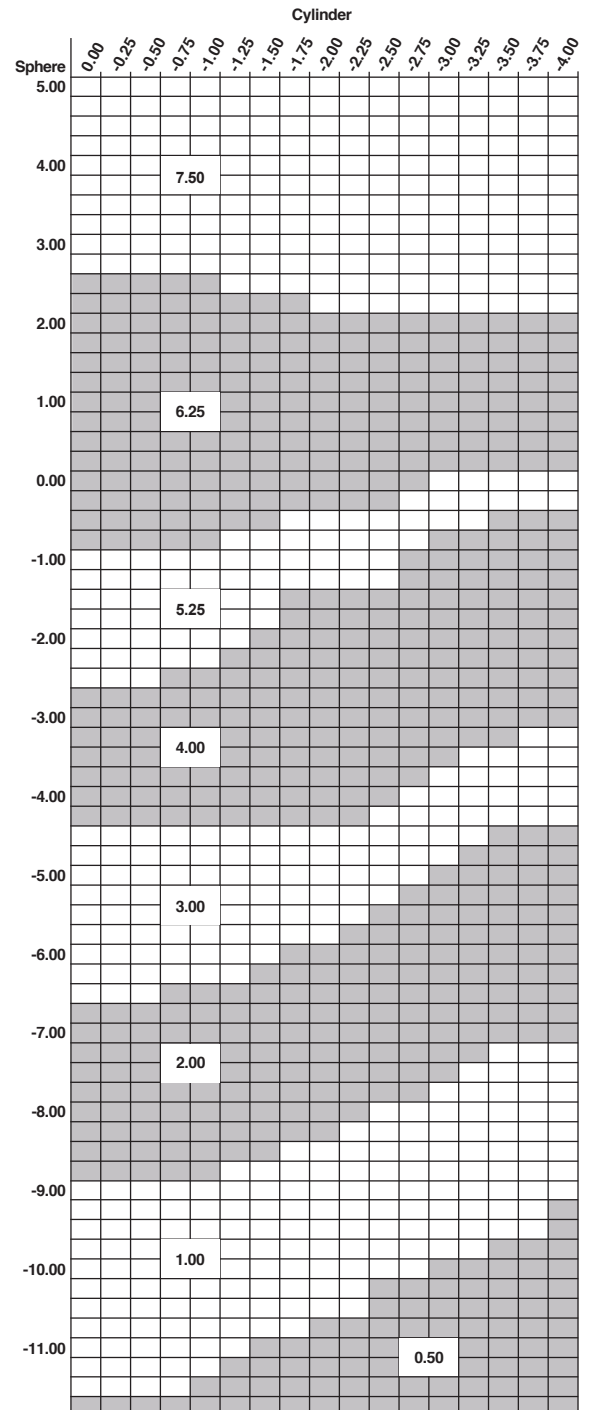
Polycarbonate

**VISION EASE Photochromic
Semi-Finished Single Vision**
75mm (Gray)

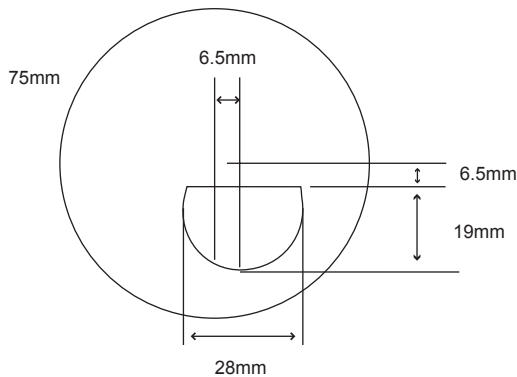
Base Curve	True Curve (1.530)	Front Radius	50mm SAG*	Back Curve	Back Radius	CT (mm) Nominal	CT (mm) Minimum	ET (mm) Nominal
0.50	0.45	1177.778	0.265	-6.25	-84.800	9.4	8.9	17.5
1.00	1.13	469.027	0.667	-6.25	-84.800	10.2	9.7	17.4
2.00	2.03	261.084	1.200	-6.25	-84.800	8.0	7.5	14.0
3.00	2.94	180.272	1.742	-6.25	-84.800	9.2	8.7	14.0
4.00	4.07	130.221	2.422	-6.25	-84.800	8.8	8.3	12.0
5.25	5.20	101.923	3.114	-6.25	-84.800	8.6	8.1	10.2
6.25	6.33	83.728	3.819	-6.25	-84.800	8.6	8.1	8.5
7.50	7.46	71.046	4.544	-6.25	-84.800	10.7	10.2	8.7

*Utilized for power calculation only, not for thickness calculation.

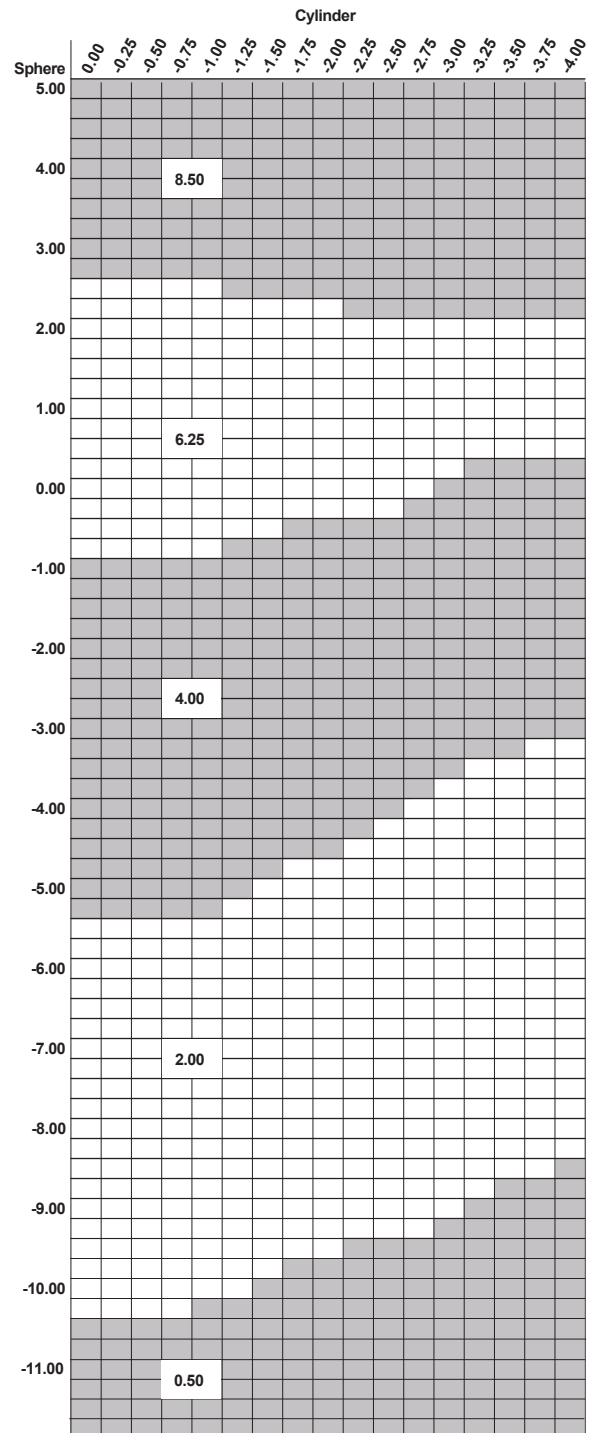
Base Curve Selection



Product Reference Guide



Base Curve Selection



Polycarbonate

VISION EASE Photochromic Bifocal

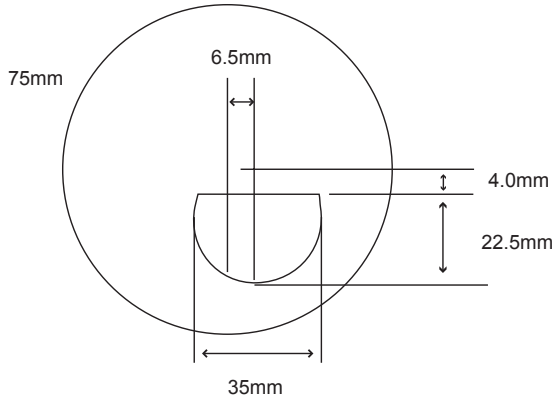
75mm Spherical D28 (Gray)

Base Curve	True Curve (1.530)	Front Radius	50mm SAG*	Back Curve	Back Radius	CT (mm) Nominal	ET (mm) Nominal	Drop	Inset
0.50	0.44	1204.545	0.260	-6.25	-84.800	8.9	17.0	6.5 D	6.5 In
2.00	2.03	261.084	1.200	-6.25	-84.800	8.0	14.0	6.5 D	6.5 In
4.00	4.07	130.221	2.422	-6.25	-84.800	8.8	12.0	6.5 D	6.5 In
6.25	6.36	83.333	3.838	-6.25	-84.800	8.6	8.5	6.5 D	6.5 In
8.50	8.59	61.700	5.292	-7.50	-70.667	9.0	7.0	6.5 D	6.5 In

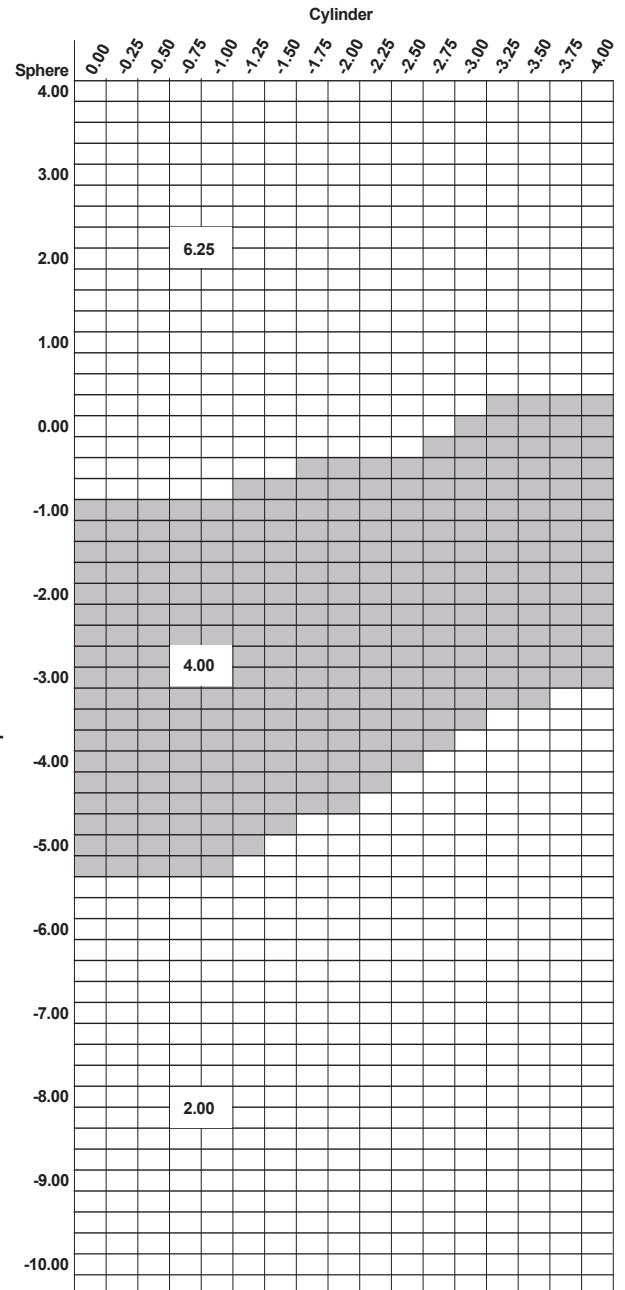
Base Curve	Adds
0.50	+2.00 to +3.00
2.00	+1.00 to +4.00
4.00	+1.00 to +4.00
6.25	+1.00 to +4.00
8.50	+1.00 to +4.00

*Utilized for power calculation only, not for thickness calculation.

Product Reference Guide



Base Curve Selection



Polycarbonate

VISION EASE Photochromic Bifocal

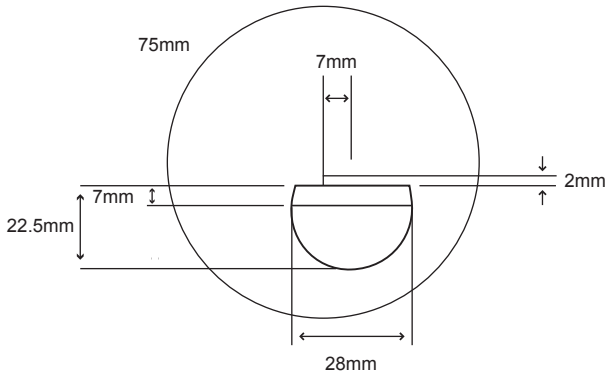
75mm Spherical D35 (Gray)

Base Curve	True Curve (1.530)	Front Radius	50mm SAG*	Back Curve	Back Radius	CT (mm) Nominal	ET (mm) Nominal	Drop	Inset
2.00	2.03	261.084	1.200	-6.25	-84.800	8.0	14.0	4.0 D	6.5 In
4.00	4.07	130.221	2.422	-6.25	-84.800	8.8	12.0	4.0 D	6.5 In
6.25	6.33	83.728	3.819	-6.25	-84.800	8.6	8.5	4.0 D	6.5 In

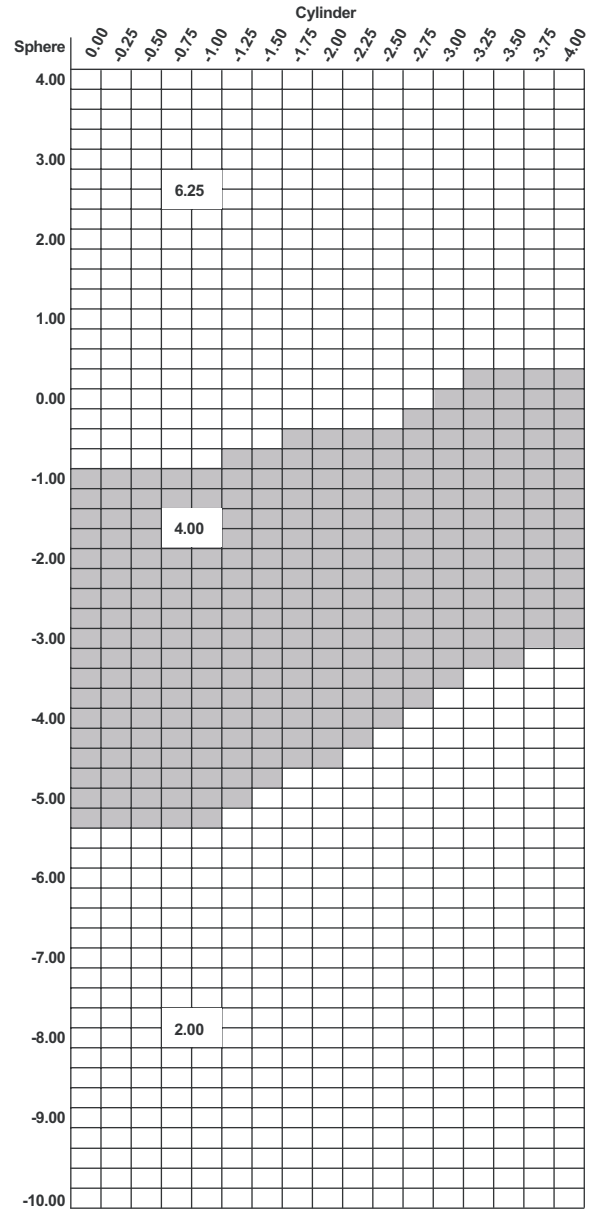
Base Curve	Gray
2.00	+1.00 to +3.00
4.00	+1.00 to +3.00
6.25	+1.00 to +3.00

*Utilized for power calculation only, not for thickness calculation.

Product Reference Guide



Base Curve Selection



Polycarbonate

VISION EASE Photochromic Trifocal

75mm Spherical 7x28 (Gray)

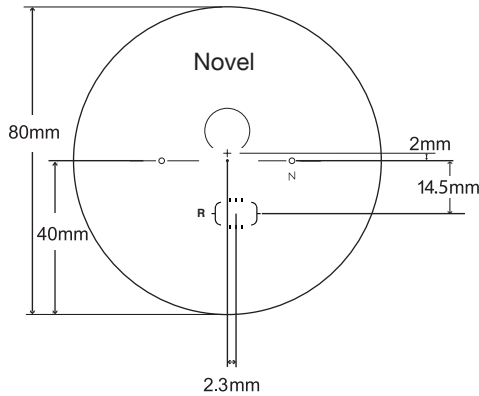
Base Curve	True Curve (1.530)	Front Radius	50mm SAG*	Back Curve	Back Radius	CT (mm) Nominal	ET (mm) Nominal	Drop	Inset
2.00	2.03	261.084	1.200	-6.25	-84.800	8.0	13.9	2.0 D	7.0 In
4.00	4.07	130.221	2.422	-6.25	-84.800	8.8	12.0	2.0 D	7.0 In
6.25	6.36	83.728	3.838	-6.25	-84.800	8.6	8.5	2.0 D	7.0 In

Base Curve	Gray
2.00	+1.50 to +3.00
4.00	+1.50 to +3.00
6.25	+1.50 to +3.00

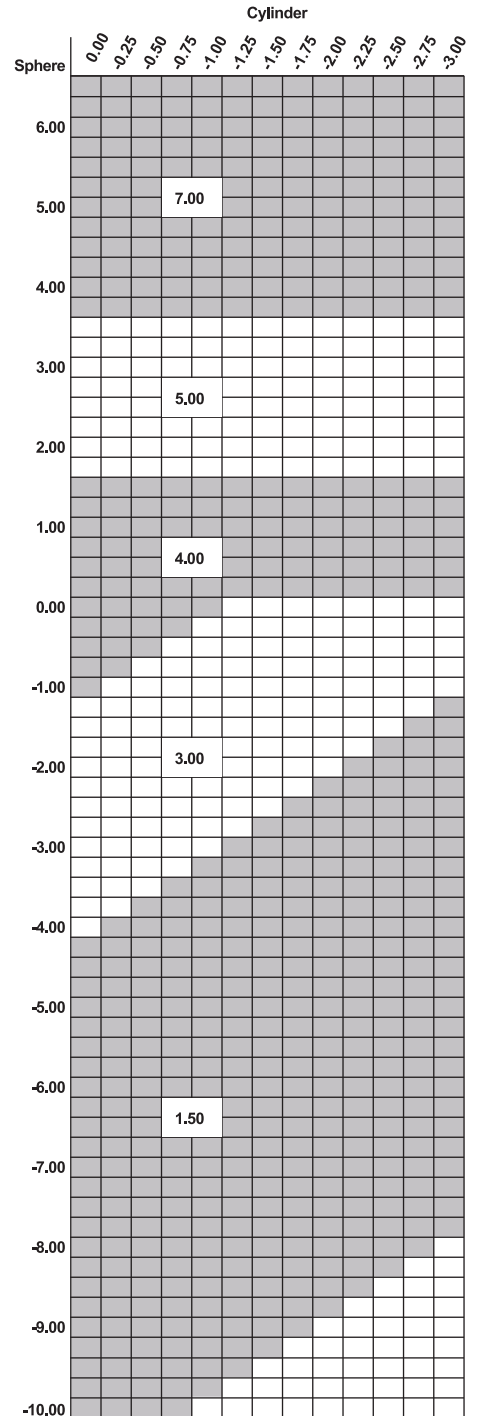
*Utilized for power calculation only, not for thickness calculation.

Product Reference Guide

Fitting cross is decentered 2.5mm from the geometric center.



Base Curve Selection



Polycarbonate

VISION EASE Photochromic Novel Decentered, Aspheric Progressive Addition Lenses

80mm (Gray)

Base Curve	True Curve (1.530)	Front Radius	50mm SAG*	Back Curve	Back Radius	CT (mm) Nominal	ET (mm) Nominal	MRP Location
1.50	1.31	404.580	0.773	-7.50	-70.667	7.0	16.9	2.0 A 2.5 In
3.00	2.73	194.140	1.616	-6.25	-84.800	7.5	12.9	2.0 A 2.5 In
4.00	4.15	127.711	2.471	-6.25	-84.800	8.0	11.2	2.0 A 2.5 In
5.00	5.37	98.696	3.219	-6.25	-84.800	10.1	11.3	2.0 A 2.5 In
7.00	6.90	76.812	4.182	-7.50	-70.667	10.0	11.0	2.0 A 2.5 In

Base Curve	Adds
1.50	+1.00 to +3.00
3.00	+1.00 to +3.00
4.00	+1.00 to +3.00
5.00	+1.00 to +3.00
7.00	+1.00 to +3.00

*Utilized for power calculation only, not for thickness calculation.