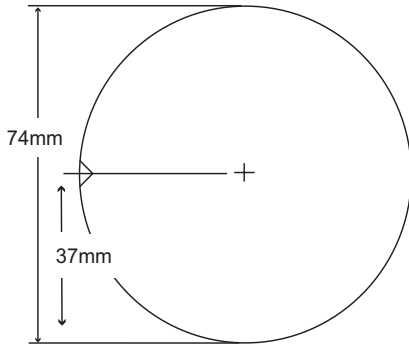


Product Reference Guide



Trivex

Coppertone® Prescription Polarized Semi-Finished Single Vision

74mm Polarized Single Vision (HEV Gray, HEV Brown)

| Base Curve | True Curve (1.530) | Front Radius | 50mm SAG* | Back Curve | Back Radius | CT (mm) Nominal | ET (mm) Nominal |
|------------|--------------------|--------------|-----------|------------|-------------|-----------------|-----------------|
| 2.25 | 2.41 | 219.917 | 1.426 | -6.08 | -87.171 | 6.9 | 12.3 |
| 4.25 | 4.16 | 127.404 | 2.477 | -6.08 | -87.171 | 9.4 | 12.5 |
| 6.25 | 6.31 | 83.994 | 3.807 | -5.00 | -106.000 | 11.4 | 9.9 |
| 8.00 | 7.92 | 66.919 | 4.845 | -6.08 | -87.171 | 13.0 | 10.4 |

*Utilized for power calculation only, not for thickness calculation.

Base Curve Selection

